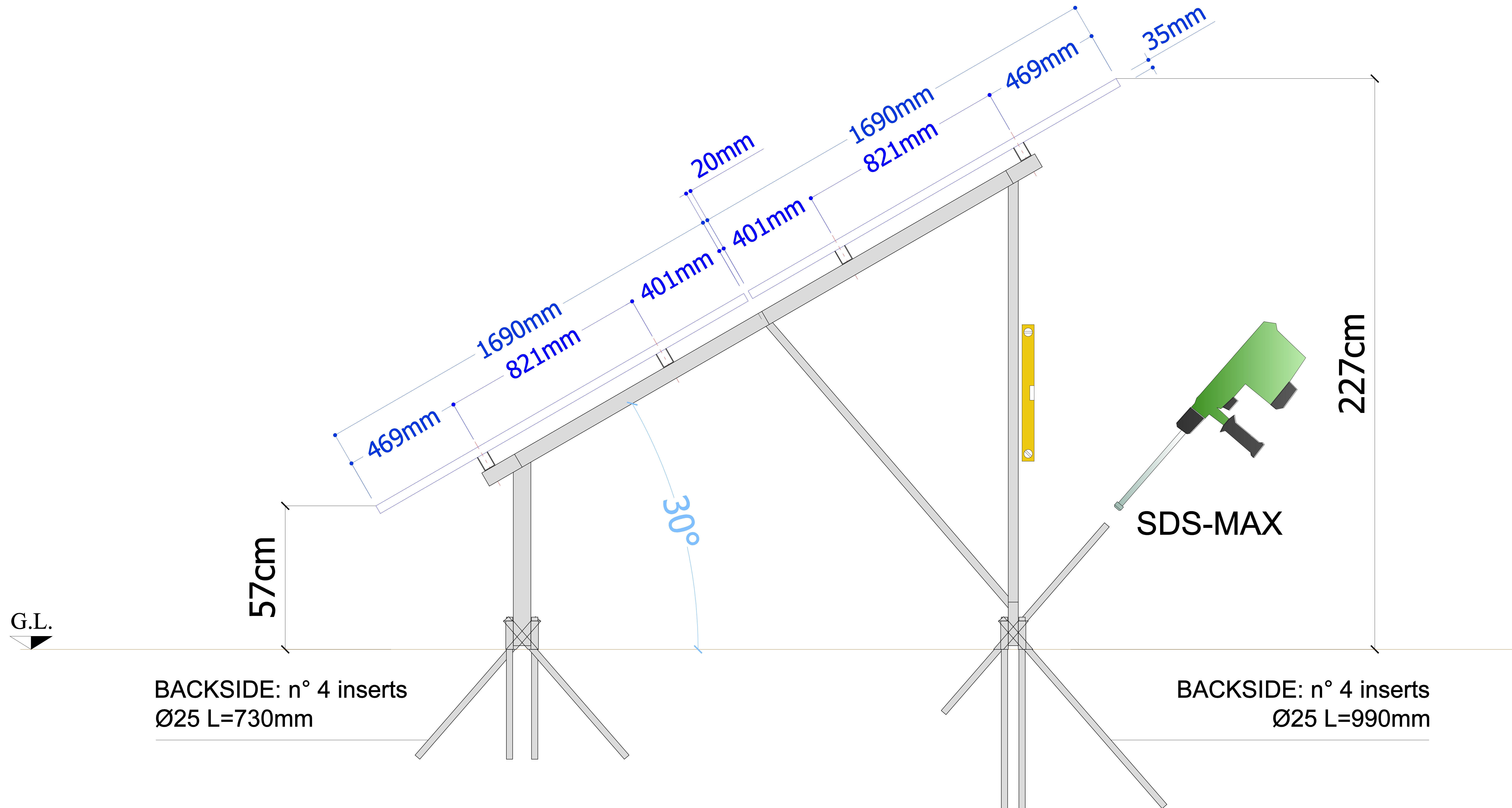


1330 PV modules 300 Wp → 399 kWp  
 Dimension: 1690 x 1002 x 35 mm



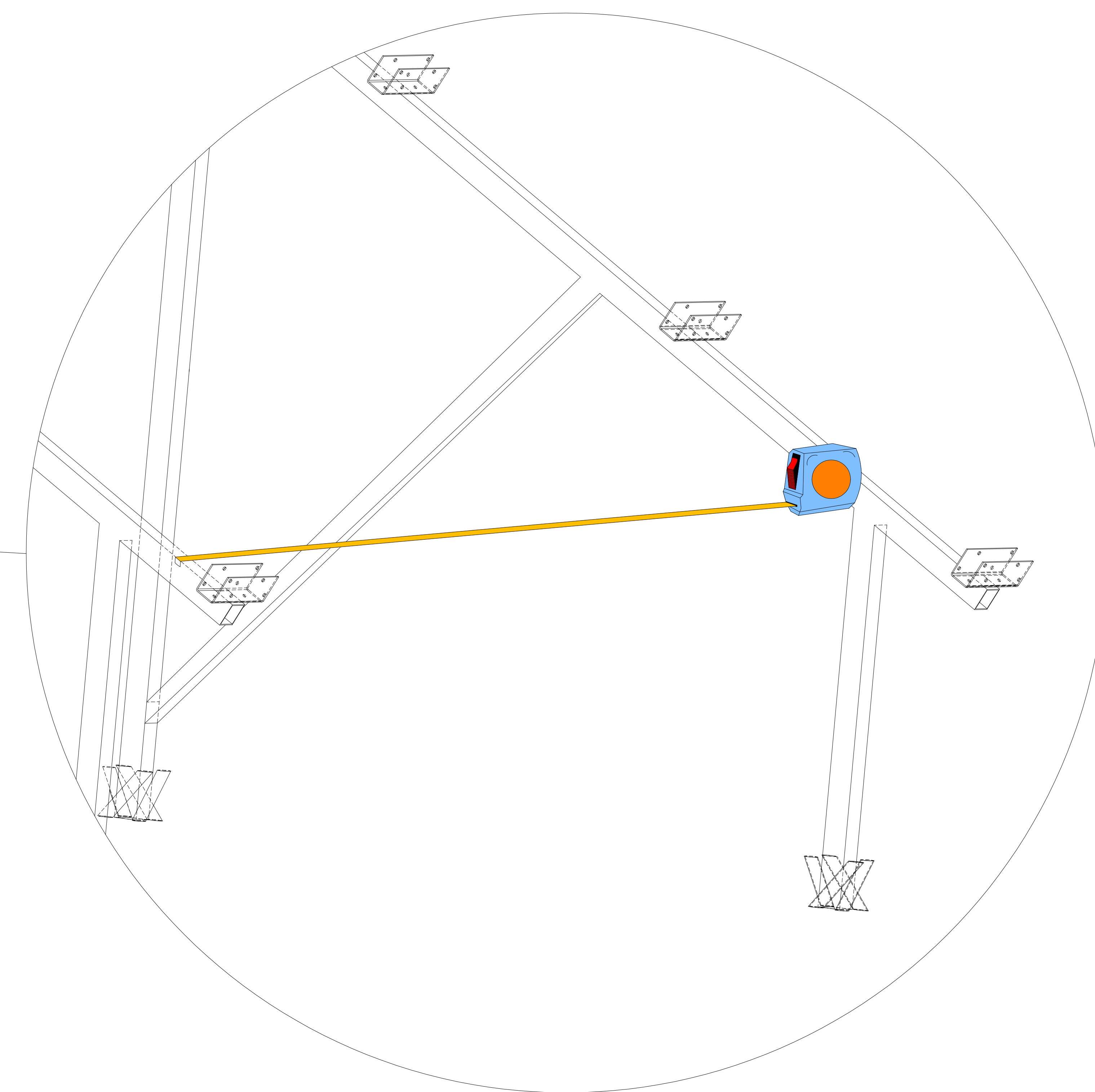
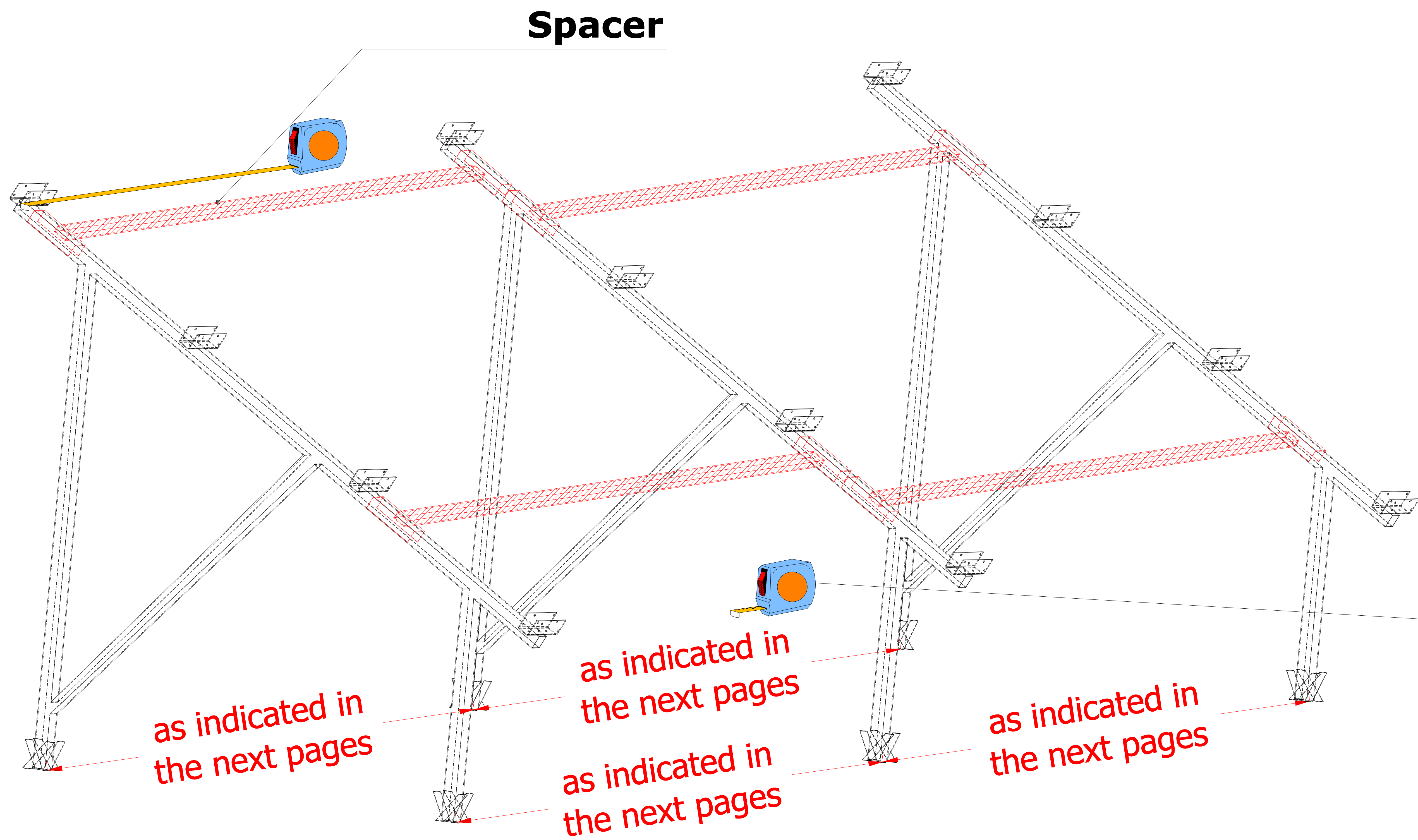
Driving-in the inserts to the ground through guides placed at the base of the frames, using a jack-hammer with SDS-MAX tool tip or a common hammer, only when all the structure is installed and it has checked that the spirit level giving the transverse orientation of the structure indicates the horizontal.

		NAME	DATE		
DRAWN		RR	04/03/2020	Solar Place Opole Voivodeship_400kWp project	
CHECKED					
				TITLE "Tree System" Anchoring.	
SIZE	DWG N°: <b>1</b>			REV	
SCALE:	WEIGHT:	SHEET			

**TREE SYSTEM**  
**TreeSystem s.r.l.**  
 Via Moraro n°22, 35020, Pozzonovo (PD)  
 Tel/fax +390429773082



distance = 370.5/337/303cm



To find the exact spacing between the frames, you can use the spacers placed one in the front side and one on the back side. For spacing different from those it's recommended to use two tape-measures placed one on the front side and one on the back.

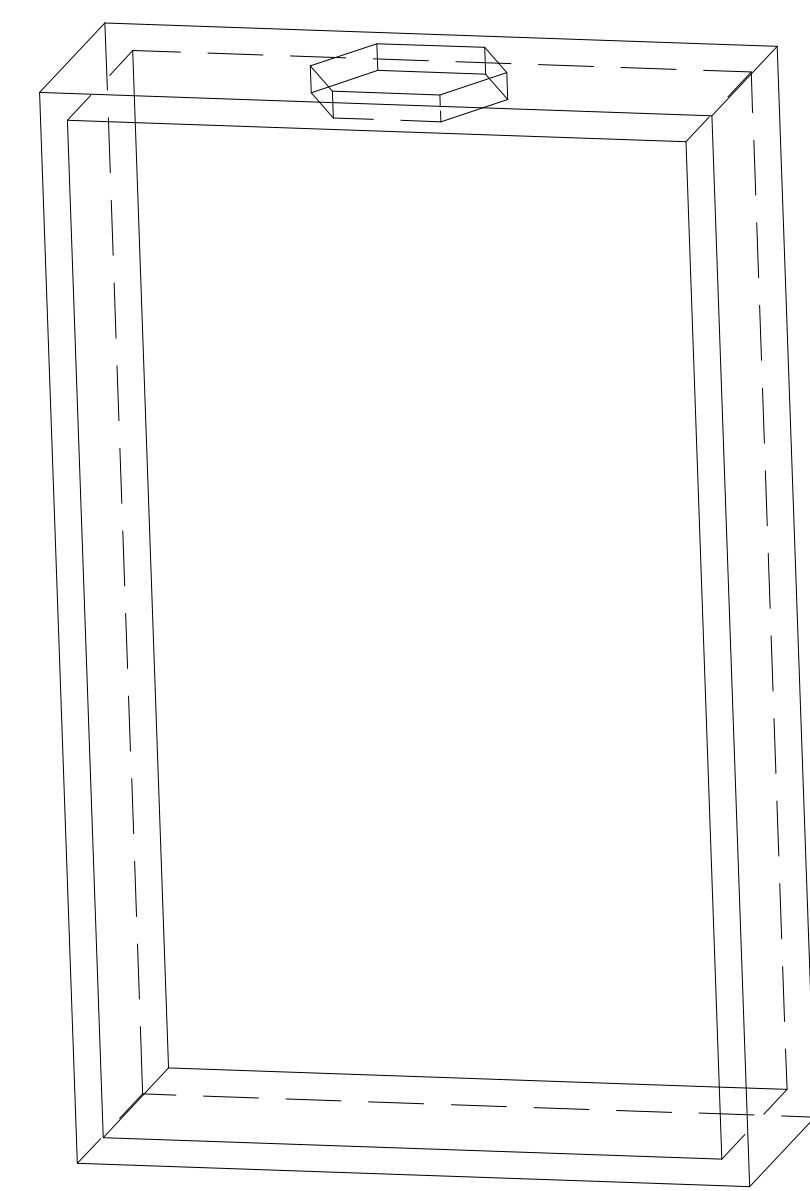
To plot the alignment of each rack, just place a picket at the beginning and at the end of each one, positioned on the back side of the frame (at the bottom of the back pillar) and pull a builder line that will determine the correct alignment.

	NAME	DATE			
DRAWN	RR	04/03/2020	Solar Place Opole Voivodeship_400kWp project		
CHECKED					
			TITLE Spacing between the frameworks.		
			SIZE	DWG N°: <b>2</b>	REV
			SCALE:	WEIGHT:	SHEET

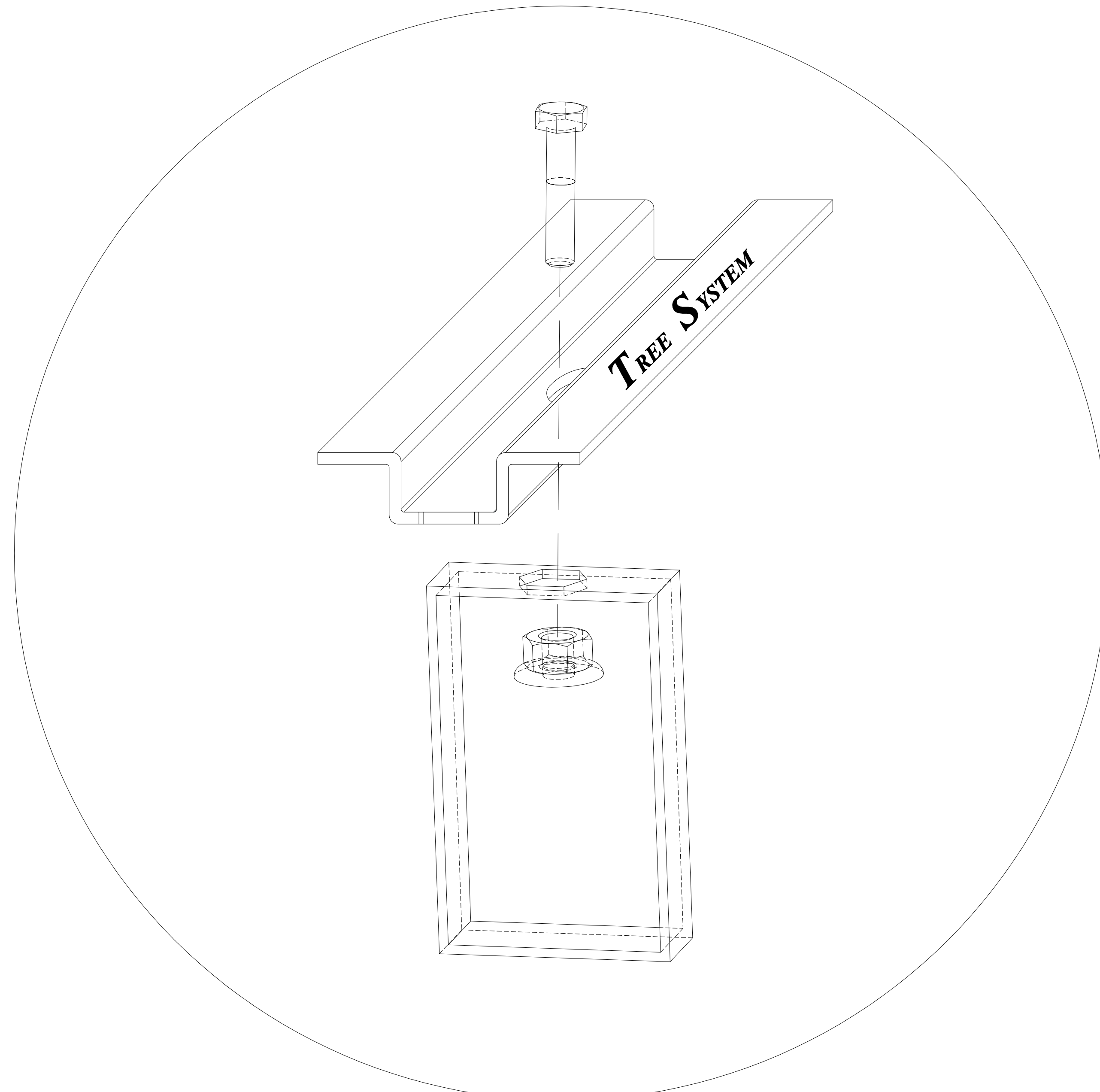
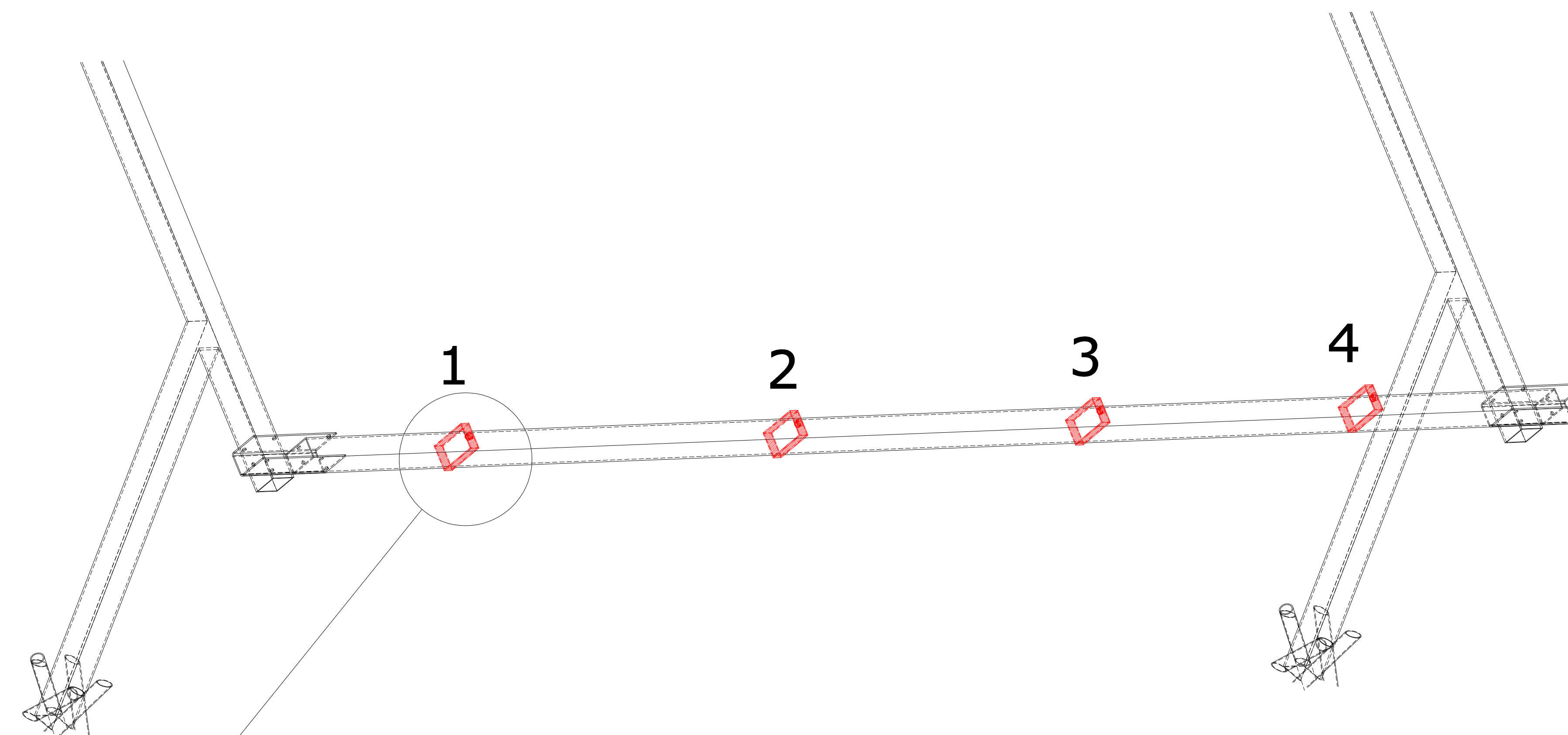


**TreeSystem s.r.l.**  
Via Moraro n°22, 35020, Pozzonovo (PD)  
Tel/fax +390429773082





Collar



The "collars" to fix the modules must be inserted before fixing the horizontal beams to the frames: you have to insert **no. 2, 3 or 4** collars for each span, while for the cantilevers it's sufficient **1** collar, as shown below.

	NAME	DATE			
DRAWN	RR	04/03/2020	Solar Place Opole Voivodeship_400kWp project		
CHECKED					
			TITLE Insertion collars to fasten PV modules.		
			SIZE	DWG N°: <b>3</b>	REV
			SCALE:	WEIGHT:	SHEET



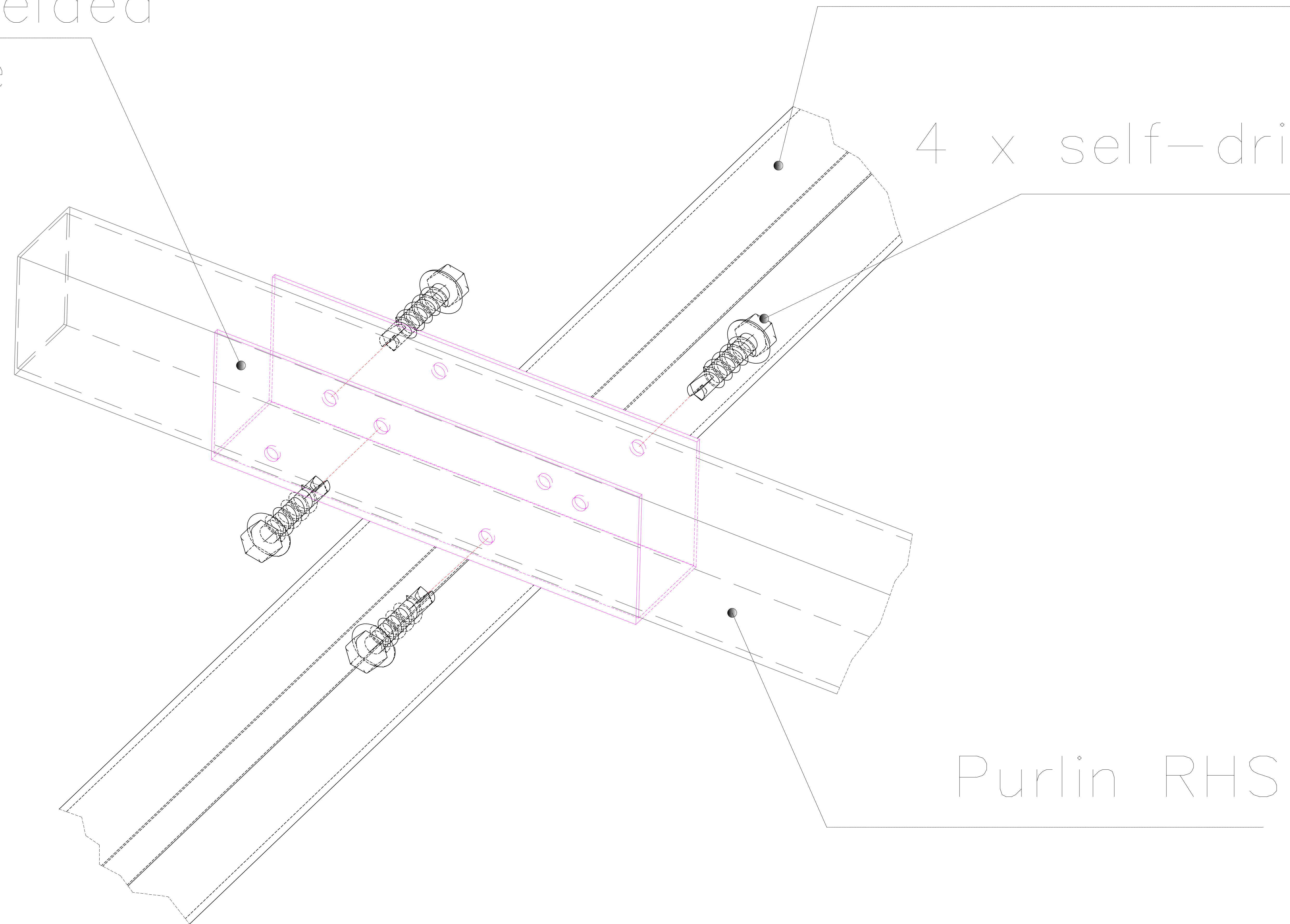
**TreeSystem s.r.l.**  
Via Moraro n°22, 35020, Pozzonovo (PD)  
Tel/fax +390429773082

# DETAIL "A": INITIAL POSITIONS

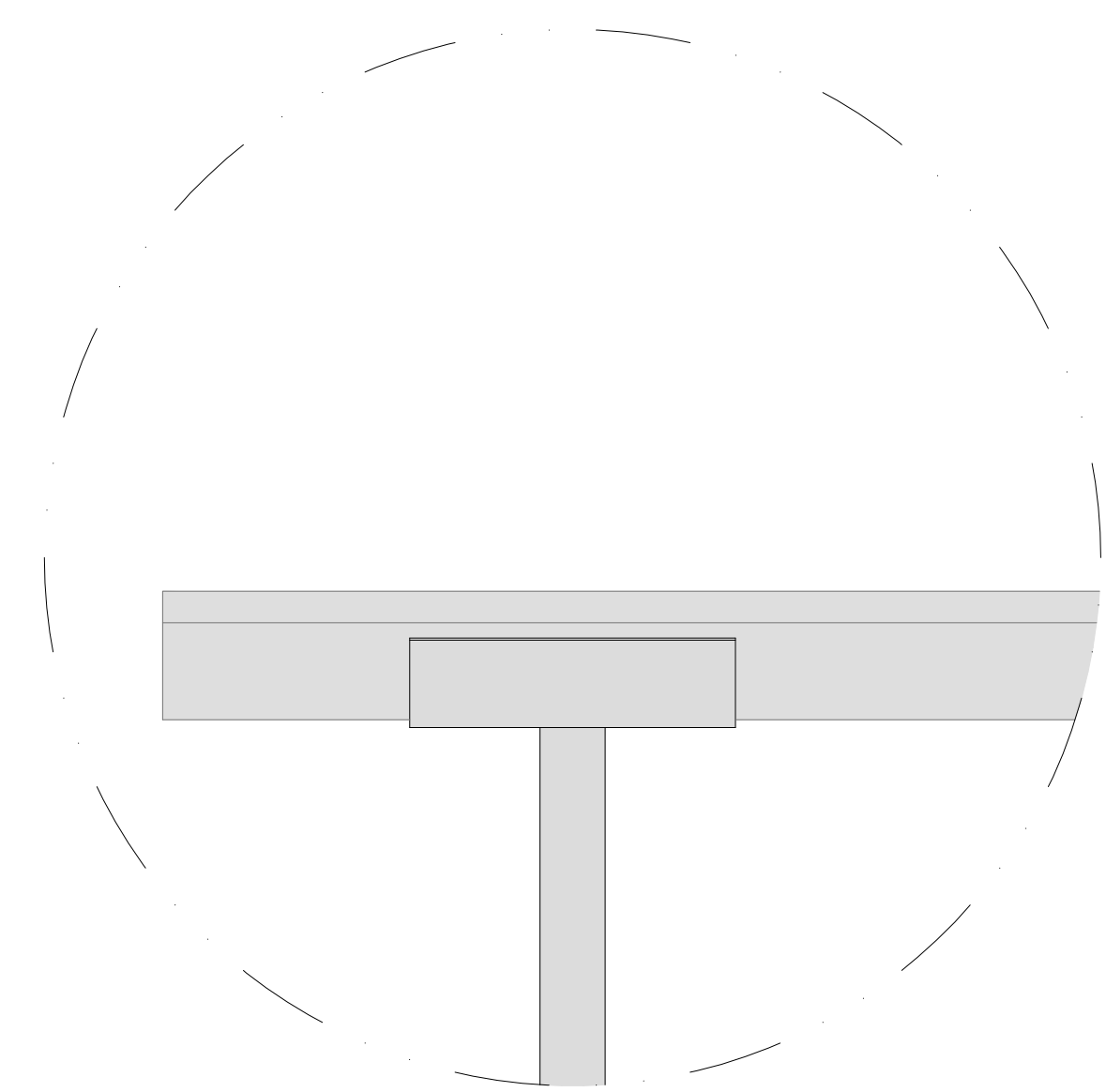
"U" profile welded to the frame

Frame RHS

4 x self-drilling screws



A



Purlin RHS

**PERMITTED TIGHTENING TORQUE OF MAX 7-8 Nm.**



	NAME	DATE		
DRAWN	RR	04/03/2020	Solar Place Opole Voivodeship_400kWp project	
CHECKED				
			TITLE Fastening horizontal profiles to the frames.	
SIZE	DWG N°:		4	REV
SCALE:	WEIGHT:	SHEET		



**TreeSystem s.r.l.**  
Via Moraro n°22, 35020, Pozzonovo (PD)  
Tel/fax +390429773082

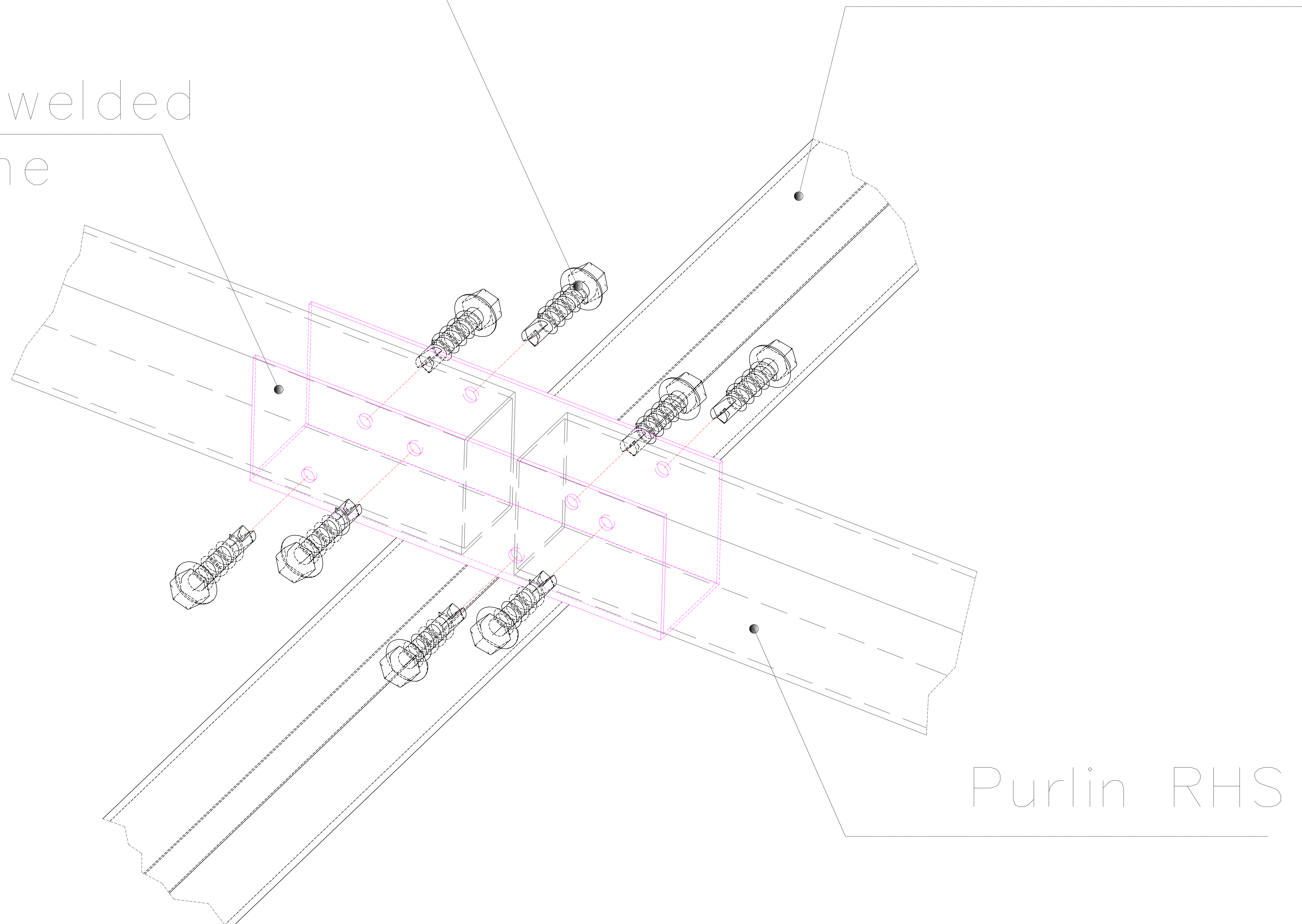


# DETAIL "B": TÊTE-à-TÊTE POSITIONS

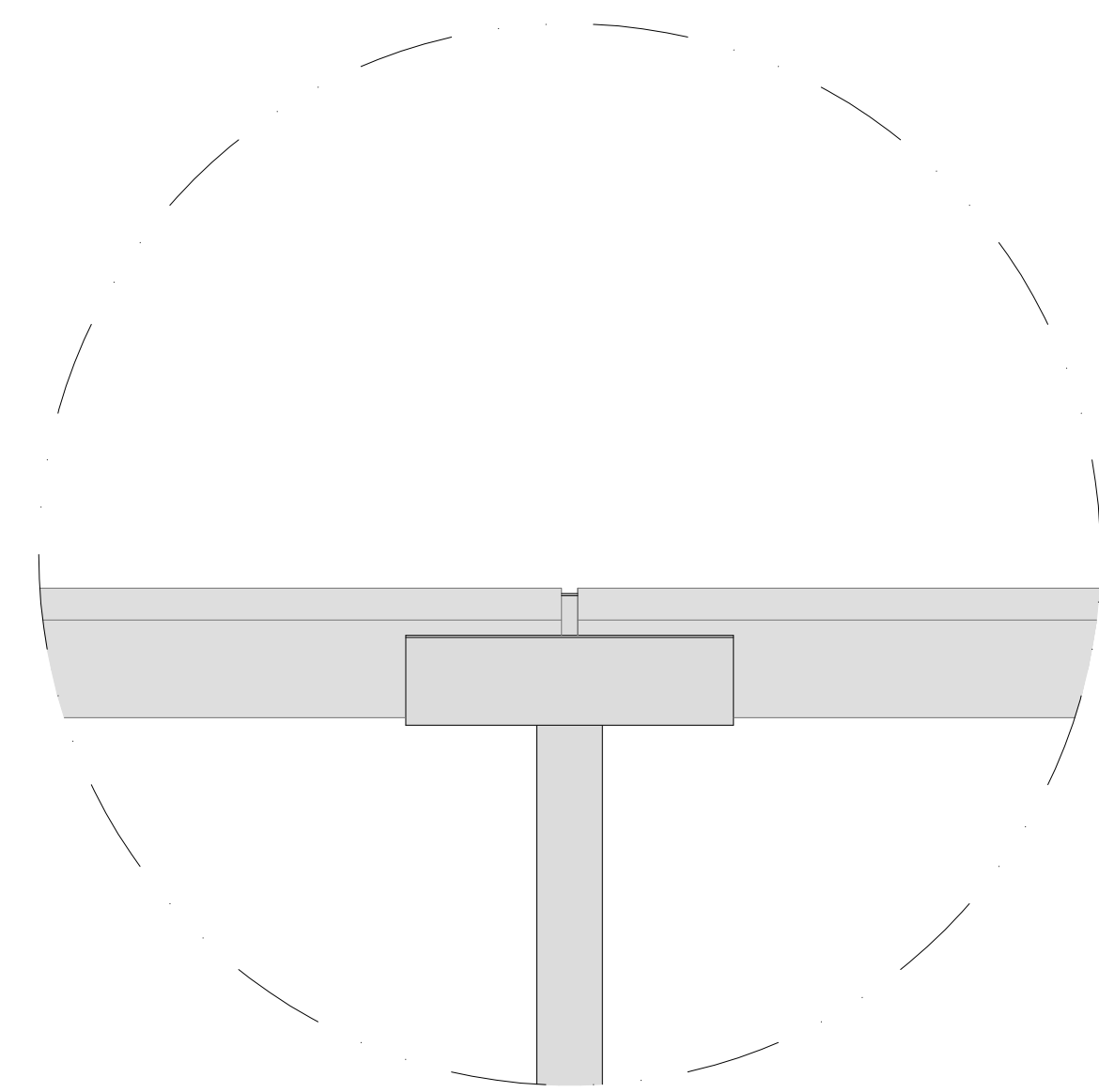
8 x self-drilling screws

Frame RHS

"U" profile welded to the frame



**B**



Purlin RHS

**PERMITTED TIGHTENING TORQUE OF MAX 7-8 Nm.**



DRAWN	NAME	DATE	Solar Place Opole Voivodeship_400kWp project	
CHECKED	RR	04/03/2020	TITLE Fastening horizontal profiles to the frames.	
			SIZE	REV
			DWG N°: <b>5</b>	
SCALE:	WEIGHT:	SHEET		



**TreeSystem s.r.l.**  
Via Moraro n°22, 35020, Pozzonovo (PD)  
Tel/fax +390429773082

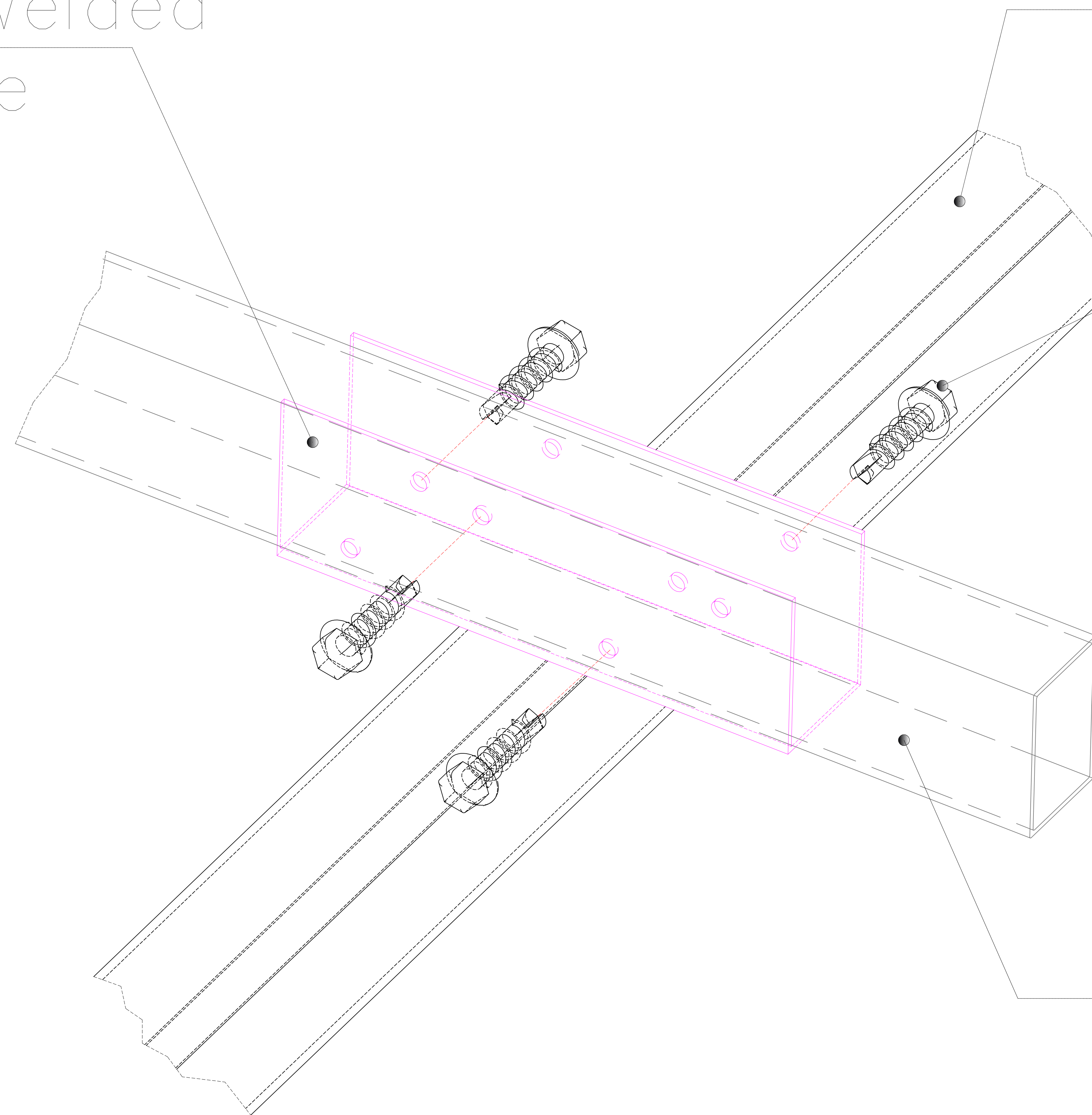


# DETAIL "C": FINAL POSITIONS

"U" profile welded to the frame

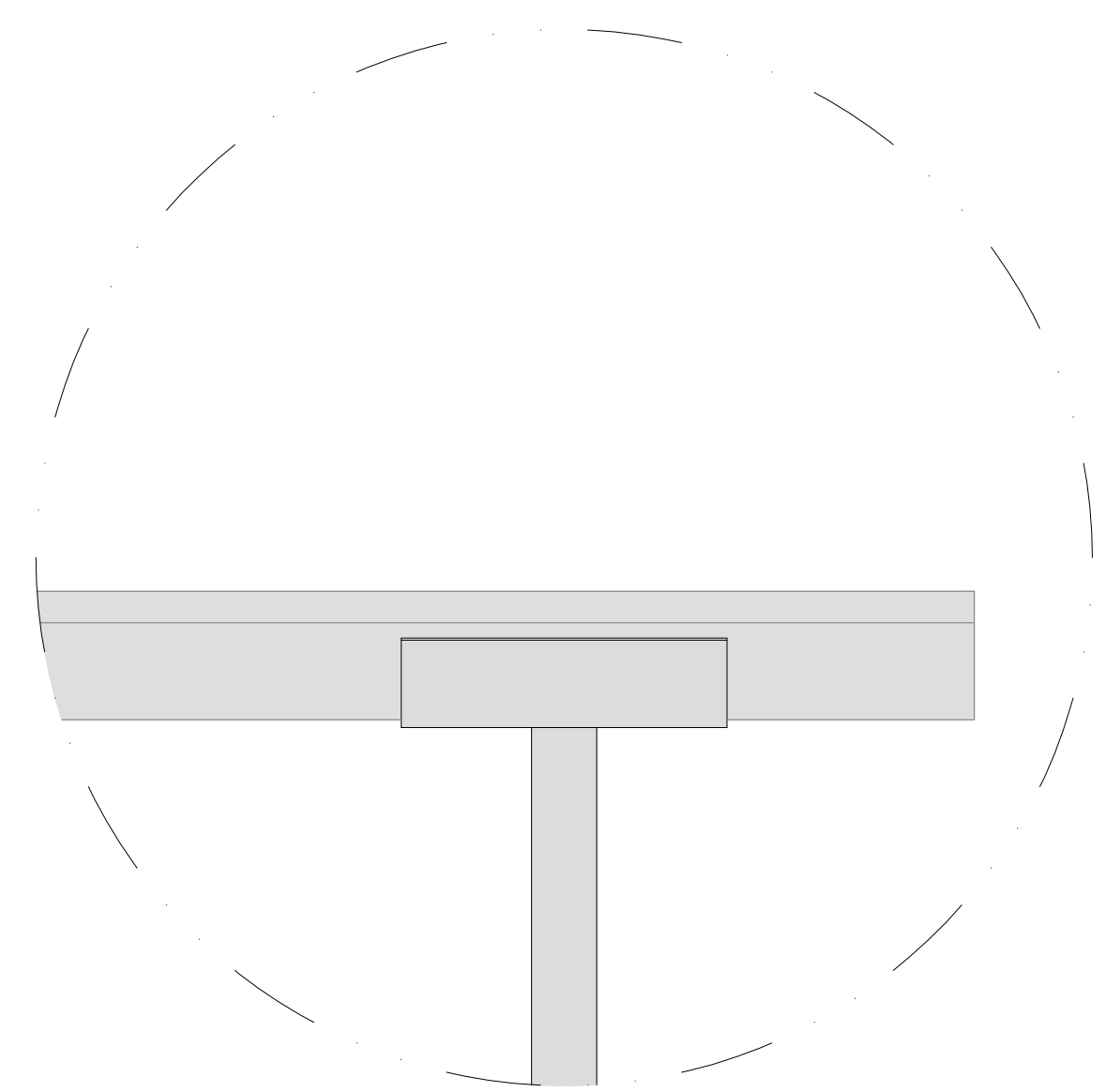
Frame RHS

4 x self-drilling screws



Purlin RHS

C



**PERMITTED TIGHTENING TORQUE OF MAX 7-8 Nm.**

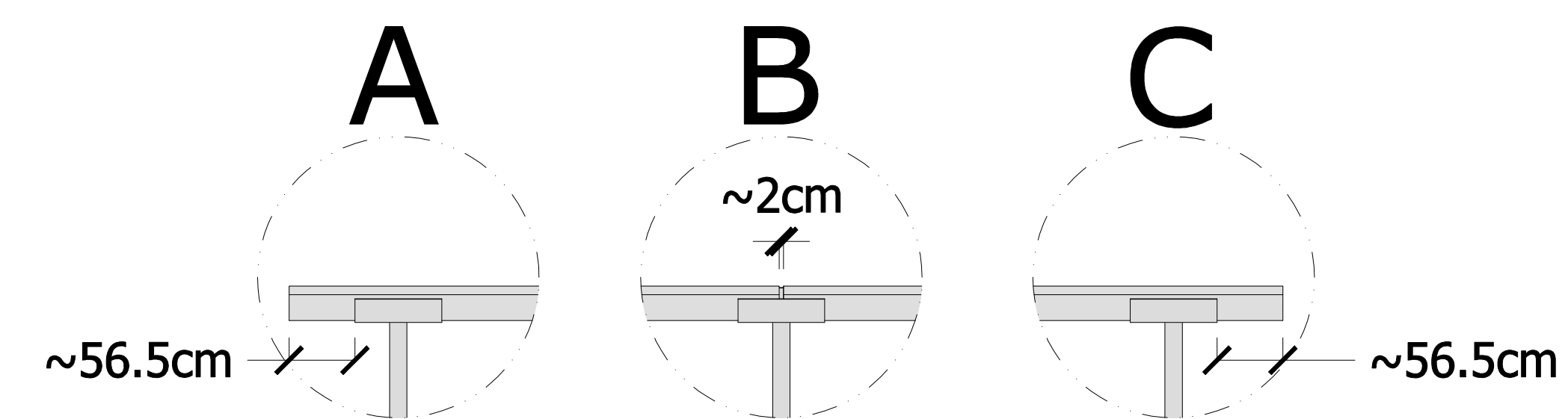
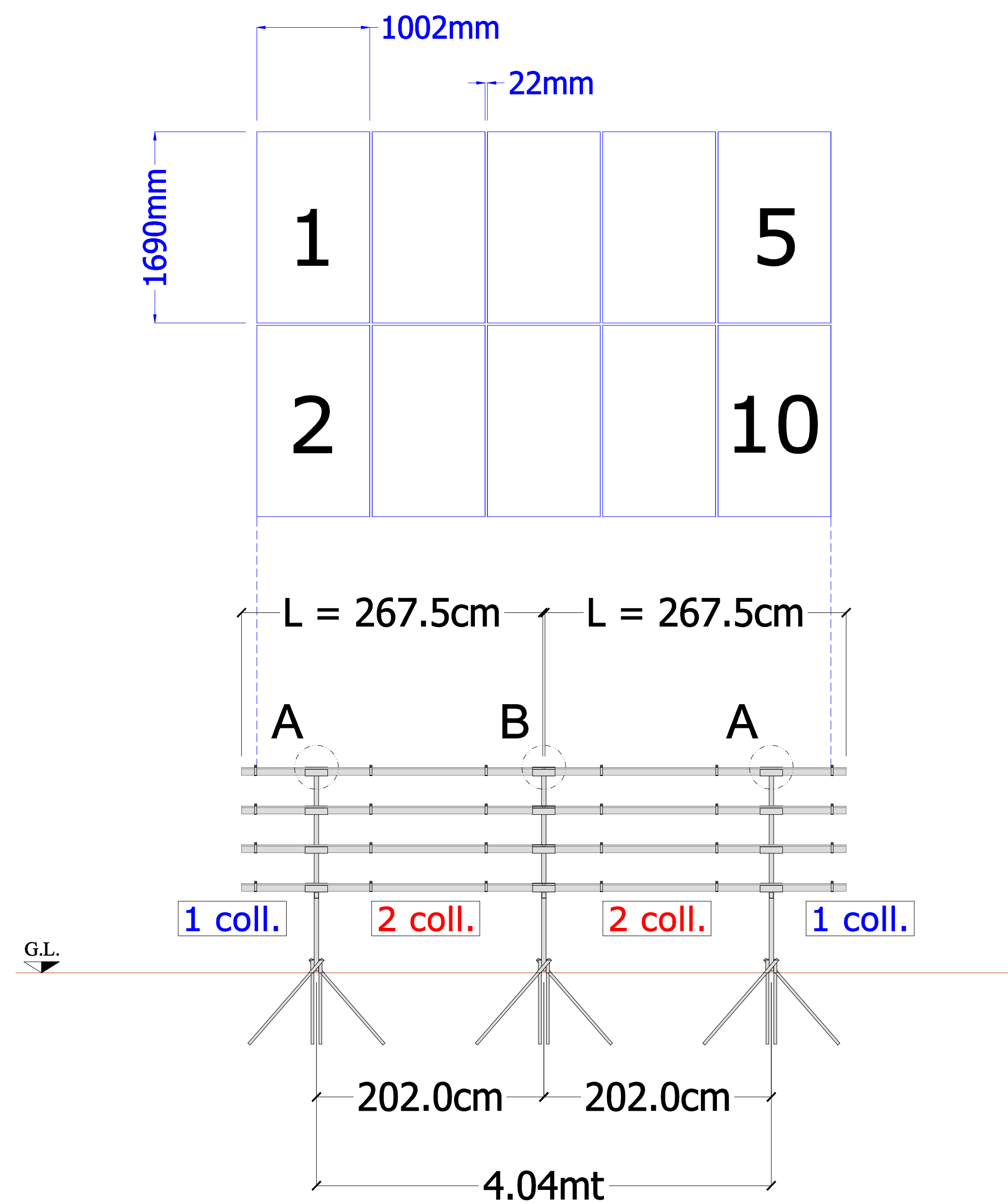


	NAME	DATE		
DRAWN	RR	04/03/2020	Solar Place Opole Voivodeship_400kWp project	
CHECKED				
			TITLE Fastening horizontal profiles to the frames.	
SIZE	DWG N°:	<b>6</b>	REV	
SCALE:	WEIGHT:	SHEET		



**TreeSystem s.r.l.**  
Via Moraro n°22, 35020, Pozzonovo (PD)  
Tel/fax +390429773082





For each rack, it is required:

- 3 FRAMEWORKS 30°;
- 8 PURLINS L=267.5cm;
- 24 COLLARS.

**DO NOT CUT THE HORIZONTAL PROFILES FOR ANY REASONS, SINCE THEY ARE ALREADY CUT ON SIZE.**

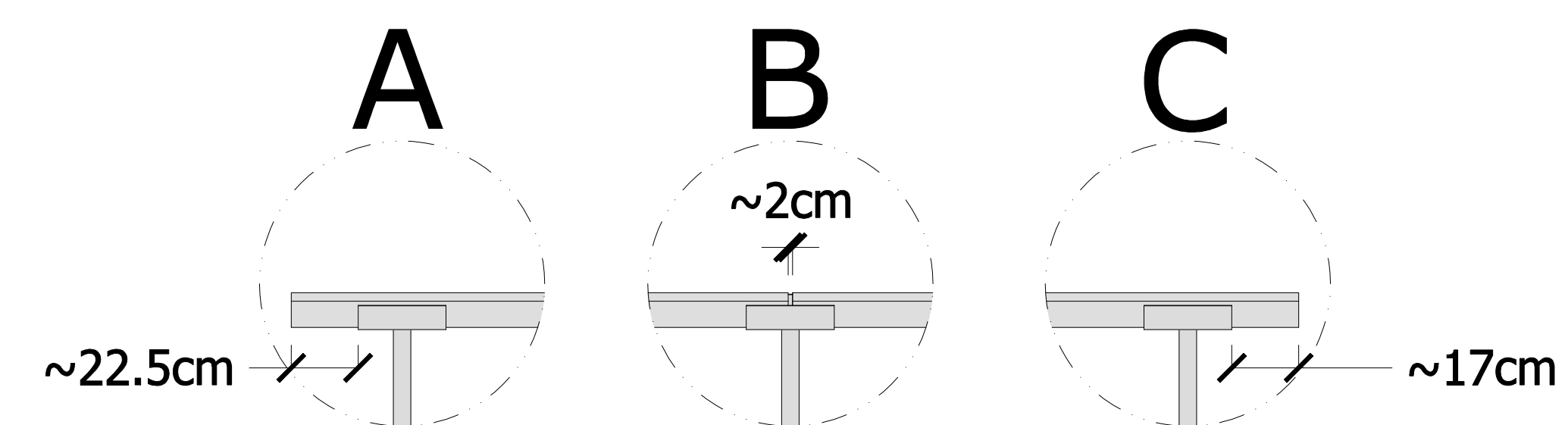
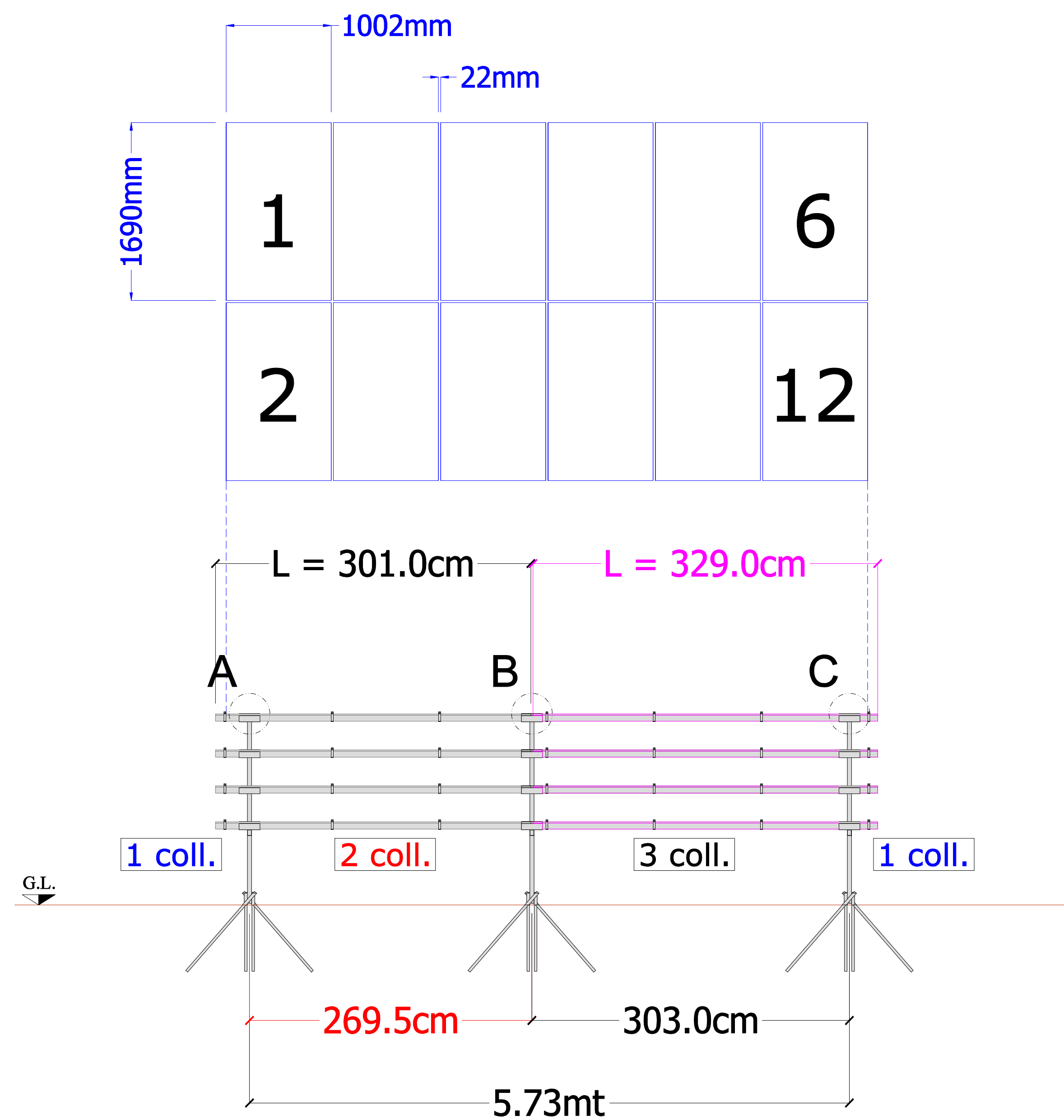
**Tipology of rack: 5+5**  
**Number of racks: 4**

DRAWN	NAME	DATE	Solar Place Opole Voivodeship_400kWp project	
CHECKED	RR	04/03/2020	TITLE Layout Racks.	
			SIZE	DWG N°: <b>7</b>
			SCALE:	WEIGHT:
			SHEET	



**TreeSystem s.r.l.**  
 Via Moraro n°22, 35020, Pozzonovo (PD)  
 Tel/fax +390429773082






For each rack, it is required:

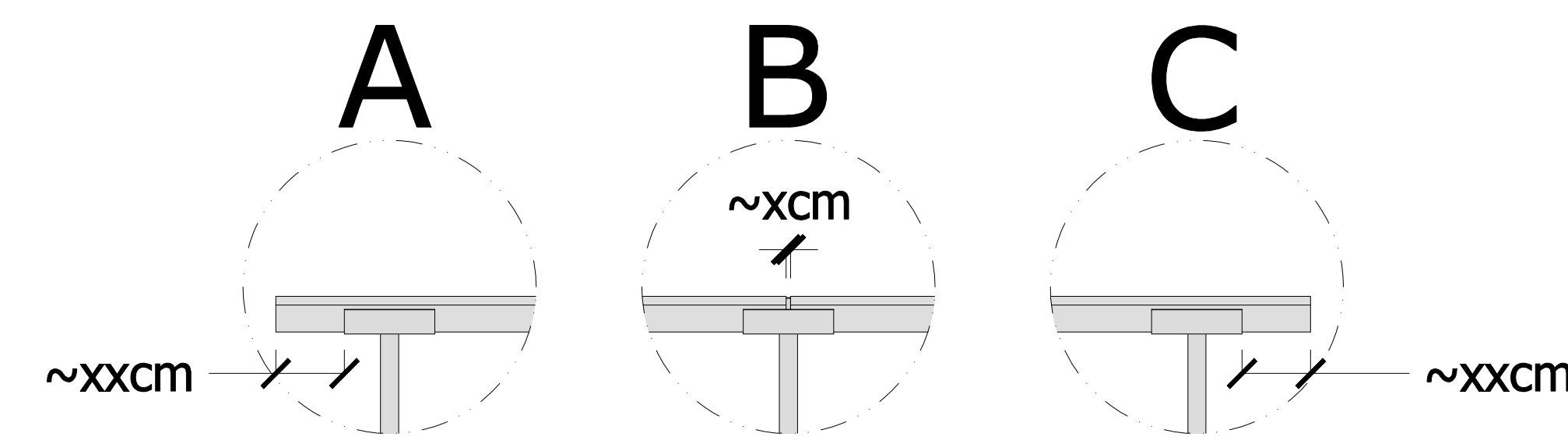
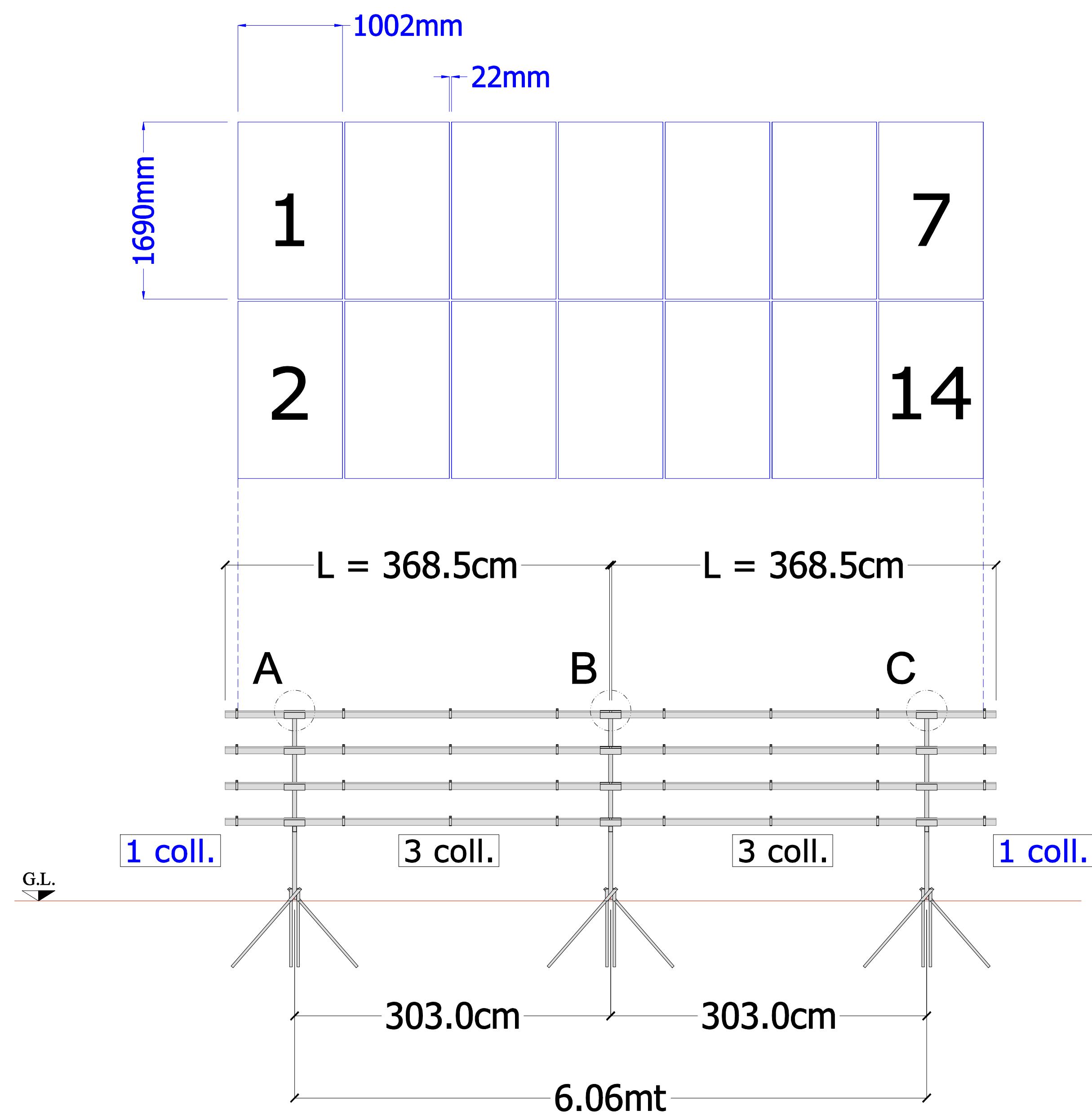
- 3 FRAMEWORKS 30°;
- 4 PURLINS L=301cm;
- 4 PURLINS L=329cm;
- 28 COLLARS.

**DO NOT CUT THE HORIZONTAL PROFILES FOR ANY REASONS, SINCE THEY ARE ALREADY CUT ON SIZE.**

Tipology of rack: **6+6**  
 Number of racks: **4**

DRAWN	NAME	DATE	Solar Place Opole Voivodeship_400kWp project		
CHECKED	RR	04/03/2020	TITLE Layout Racks.		
 <b>TreeSystem s.r.l.</b> Via Moraro n°22, 35020, Pozzonovo (PD) Tel/fax +390429773082			SIZE	DWG N°:	REV
			SCALE:	WEIGHT:	SHEET
			8		





For each rack, it is required:

- 3 FRAMEWORKS 30°;
- 8 PURLINS L=368.5cm;
- 32 COLLARS.

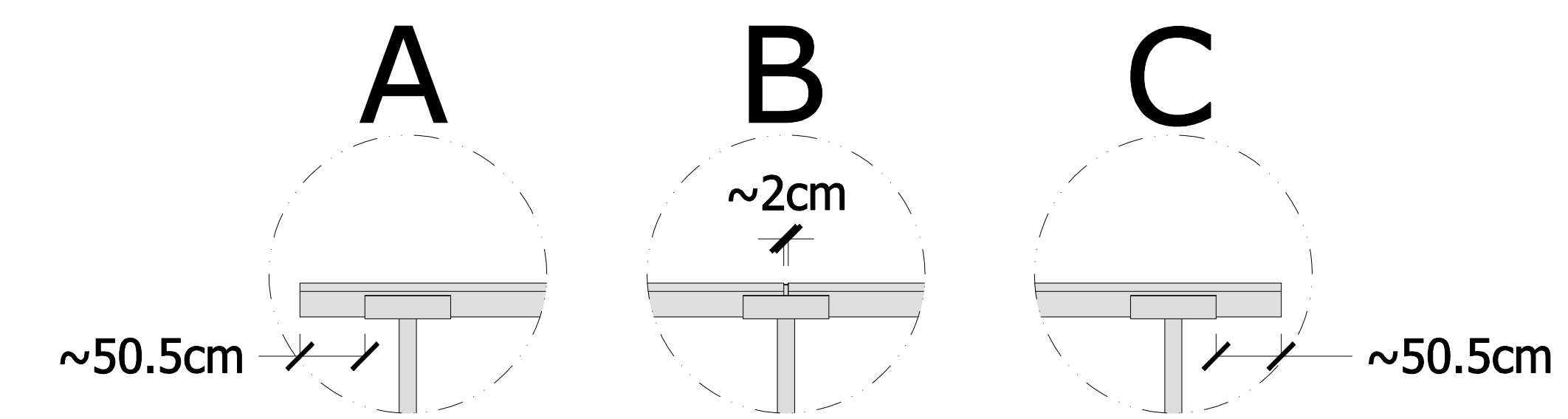
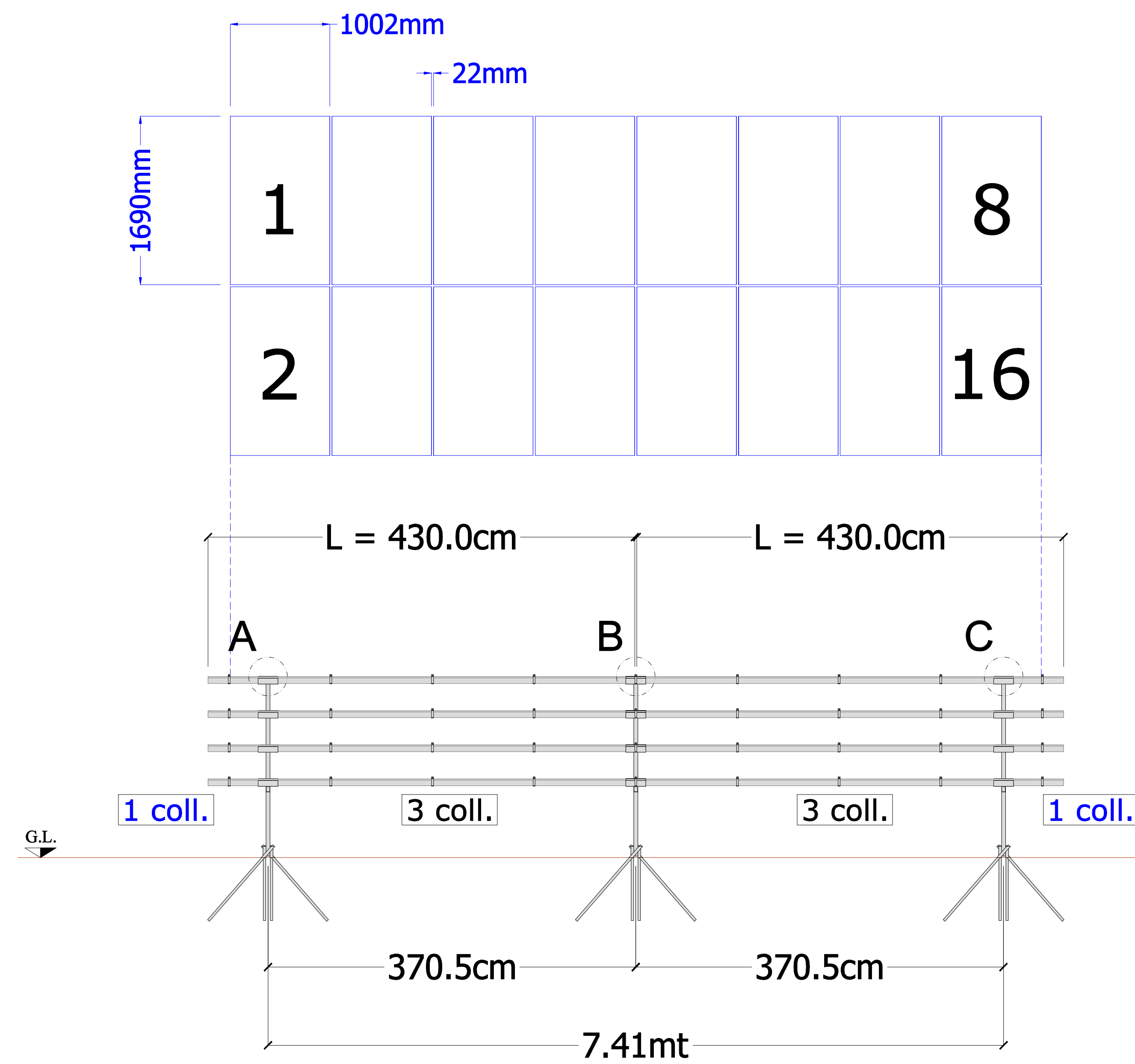
**DO NOT CUT THE HORIZONTAL PROFILES FOR ANY REASONS, SINCE THEY ARE ALREADY CUT ON SIZE.**

Typology of rack: **7+7**  
 Number of racks: **4**

DRAWN	NAME	DATE	Solar Place Opole Voivodeship_400kWp project		
CHECKED	RR	04/03/2020	TITLE Layout Racks.		
			SIZE	DWG N°: <b>9</b>	REV
			SCALE:	WEIGHT:	SHEET



**TreeSystem s.r.l.**  
 Via Moraro n°22, 35020, Pozzonovo (PD)  
 Tel/fax +390429773082



For each rack, it is required:

- 3 FRAMEWORKS 30°;
- 8 PURLINS L=430cm;
- 32 COLLARS;
- 4 OPEN COLLARS.

**DO NOT CUT THE HORIZONTAL PROFILES FOR ANY REASONS, SINCE THEY ARE ALREADY CUT ON SIZE.**

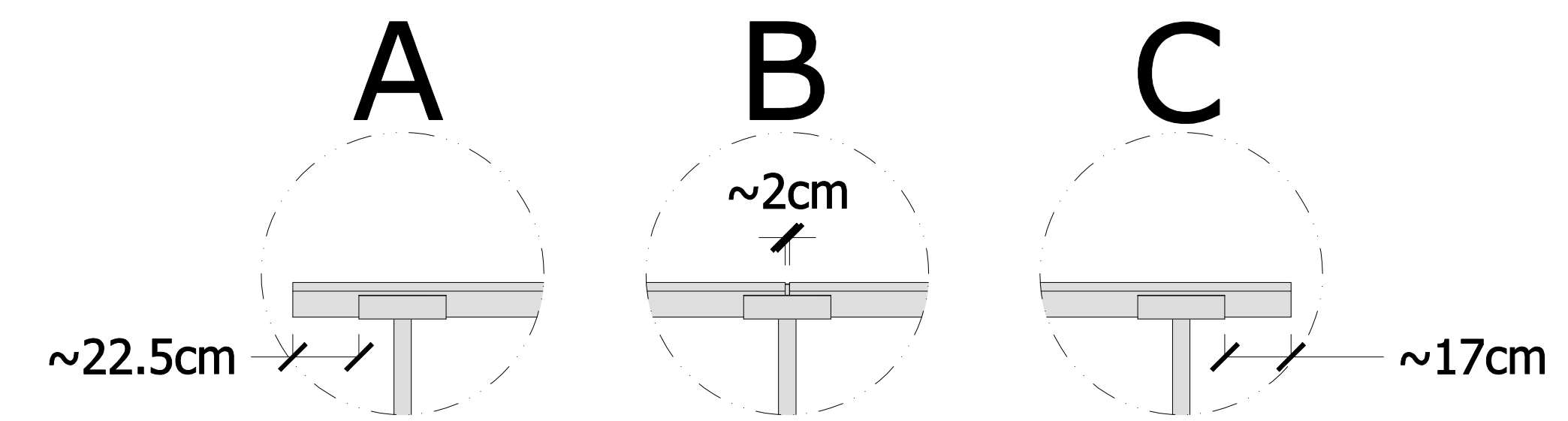
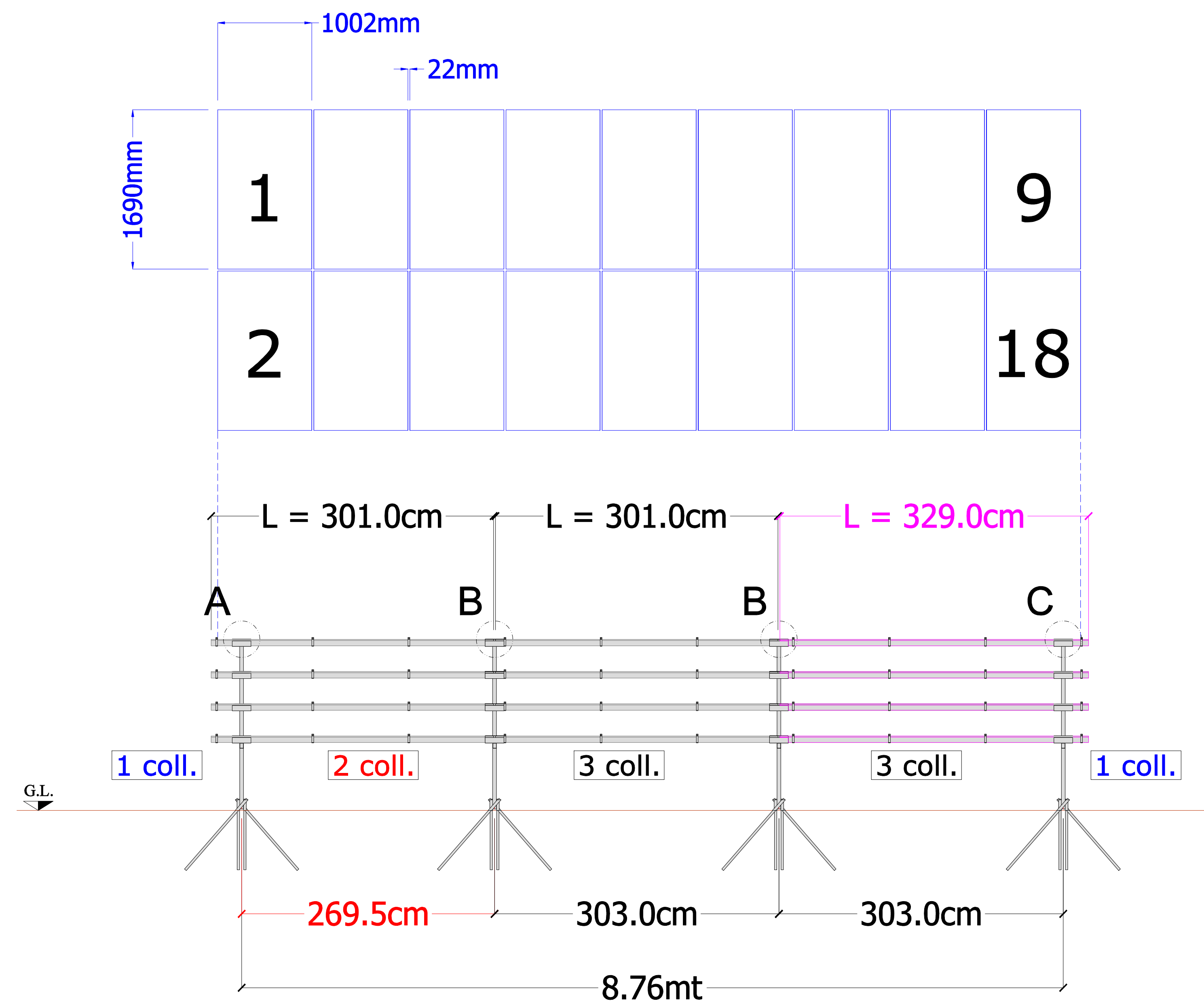
**Tipology of rack: 8+8**  
**Number of racks: 4**

DRAWN	NAME	DATE	Solar Place Opole Voivodeship_400kWp project		
CHECKED	RR	04/03/2020	TITLE Layout Racks.		
			SIZE	DWG N°: <b>10</b>	REV
			SCALE:	WEIGHT:	SHEET



**TreeSystem s.r.l.**  
 Via Moraro n°22, 35020, Pozzonovo (PD)  
 Tel/fax +390429773082






For each rack, it is required:

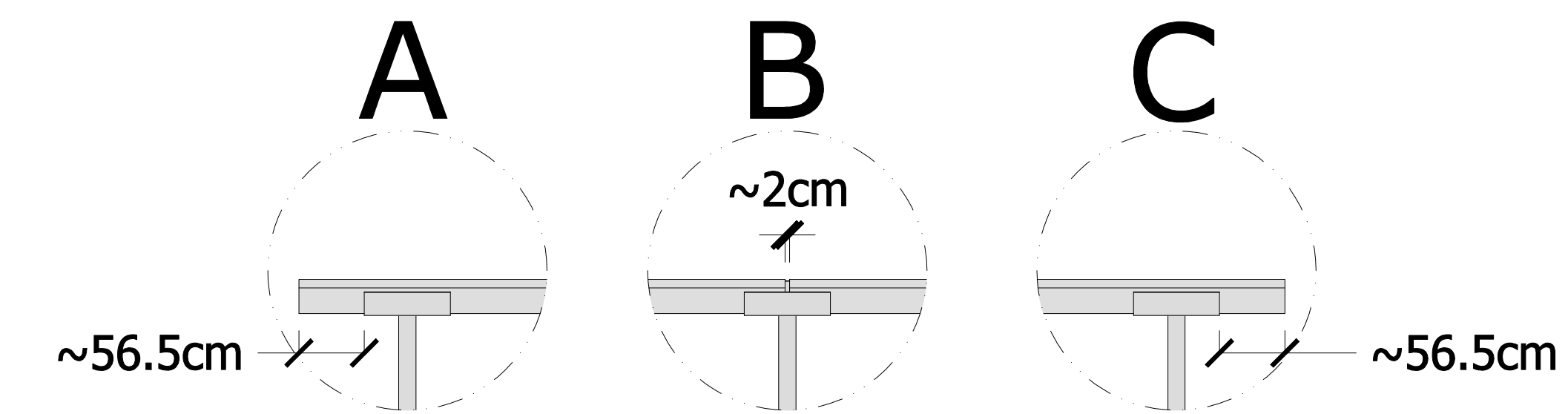
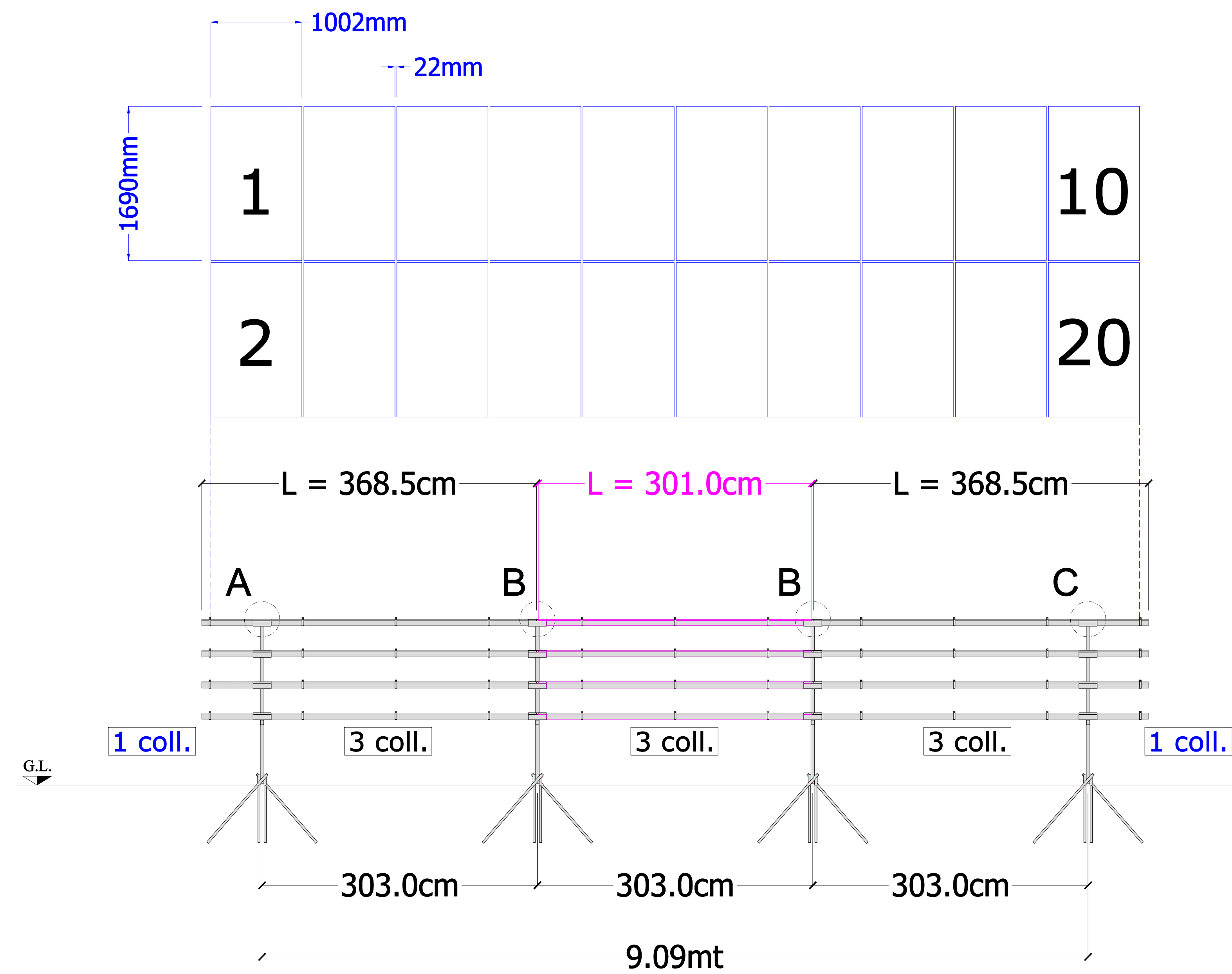
- 4 FRAMEWORKS 30°;
- 8 PURLINS L=301cm;
- 4 PURLINS L=329cm;
- 40 COLLARS.

**DO NOT CUT THE HORIZONTAL PROFILES FOR ANY REASONS, SINCE THEY ARE ALREADY CUT ON SIZE.**

**Tipology of rack: 9+9**  
**Number of racks: 4**

DRAWN	NAME	DATE	Solar Place Opole Voivodeship_400kWp project		
CHECKED	RR	04/03/2020	TITLE Layout Racks.		
 <b>TreeSystem s.r.l.</b> Via Moraro n°22, 35020, Pozzonovo (PD) Tel/fax +390429773082			SIZE	DWG N°:	REV
			SCALE:	WEIGHT:	SHEET

**11**




For each rack, it is required:

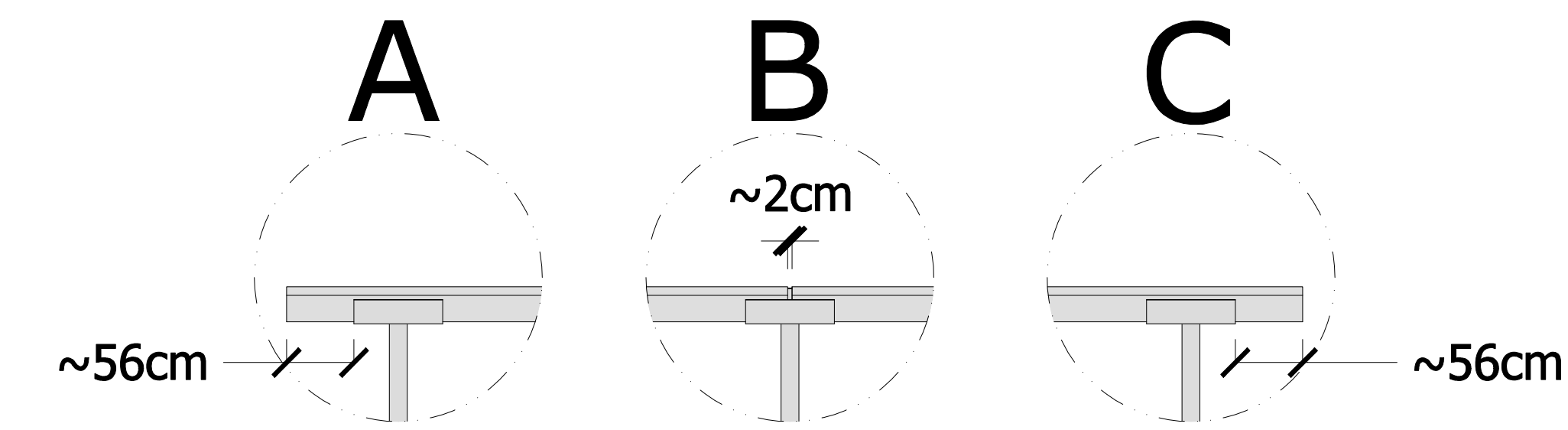
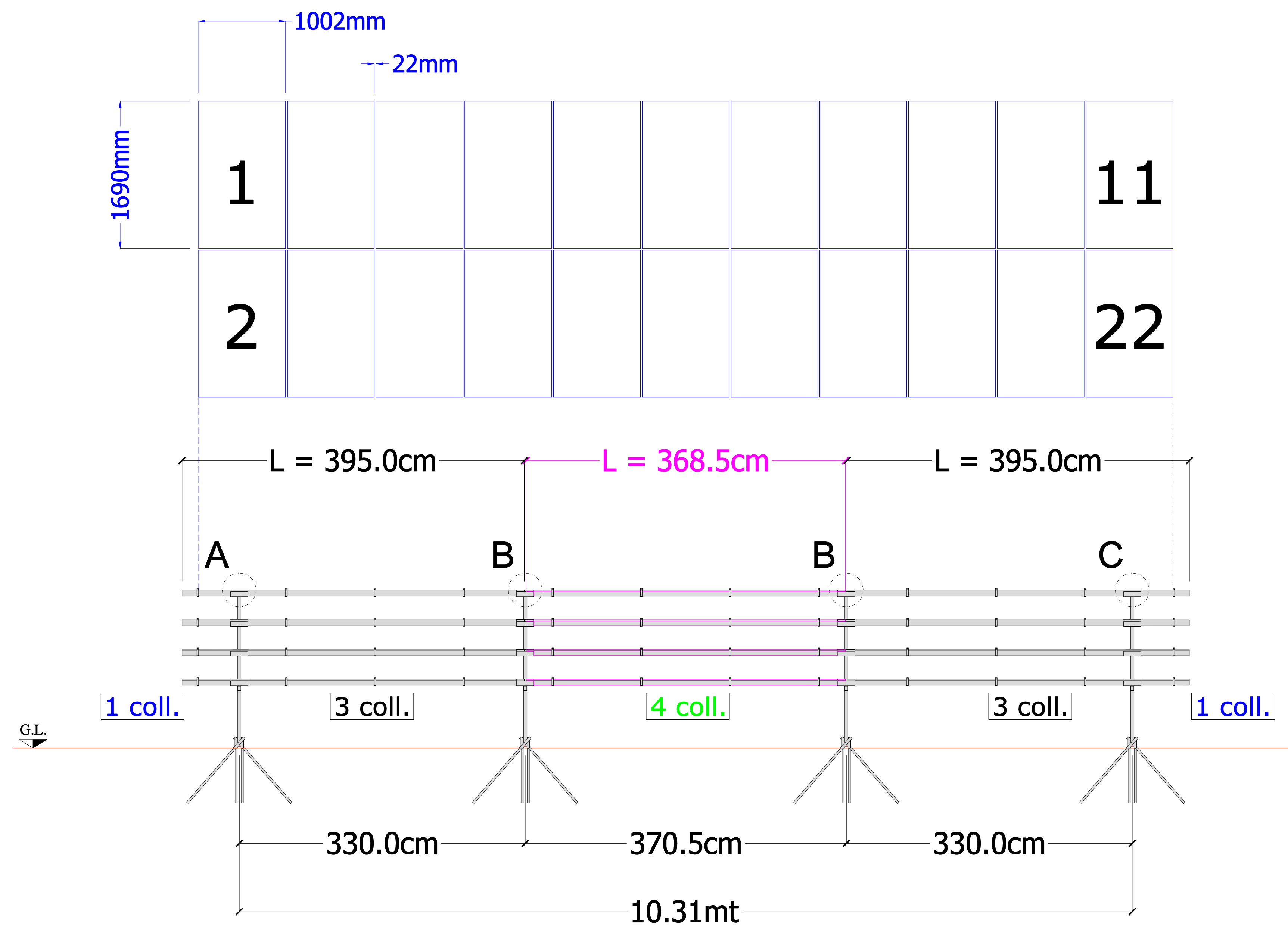
- 4 FRAMEWORKS 30°;
- 8 PURLINS L=368.5cm;
- 4 PURLINS L=301cm;
- 44 COLLARS.

**DO NOT CUT THE HORIZONTAL PROFILES FOR ANY REASONS, SINCE THEY ARE ALREADY CUT ON SIZE.**

Tipology of rack: **10+10**  
 Number of racks: **10**

DRAWN	NAME	DATE	Solar Place Opole Voivodeship_400kWp project		
CHECKED	RR	04/03/2020	TITLE Layout Racks.		
 <b>TreeSystem s.r.l.</b> Via Moraro n°22, 35020, Pozzonovo (PD) Tel/fax +390429773082			SIZE	DWG N°: <b>12</b>	REV
			SCALE:	WEIGHT:	SHEET






For each rack, it is required:

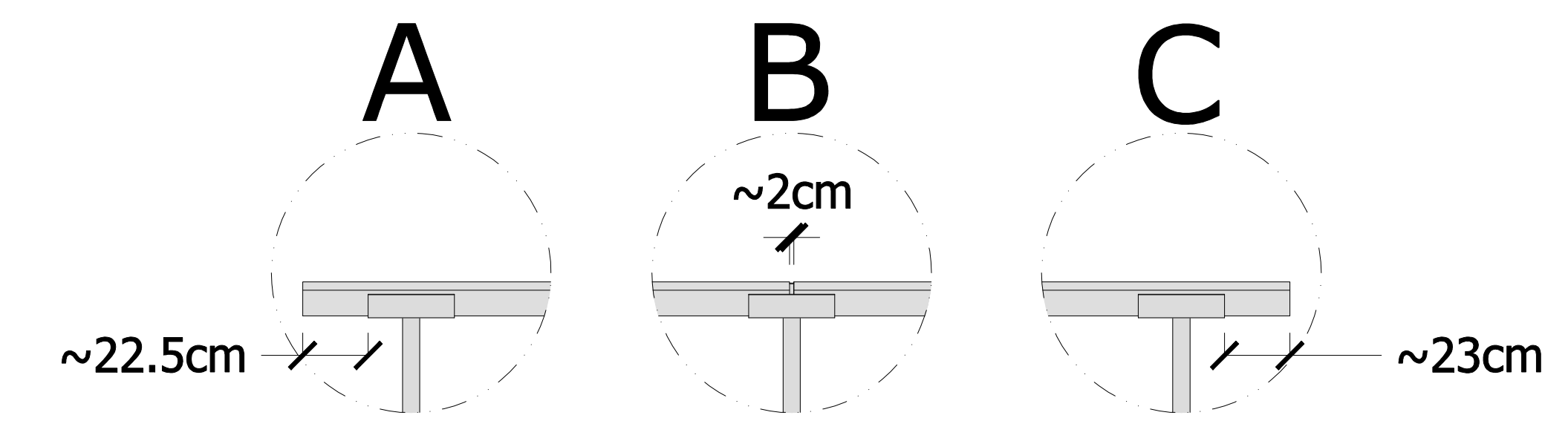
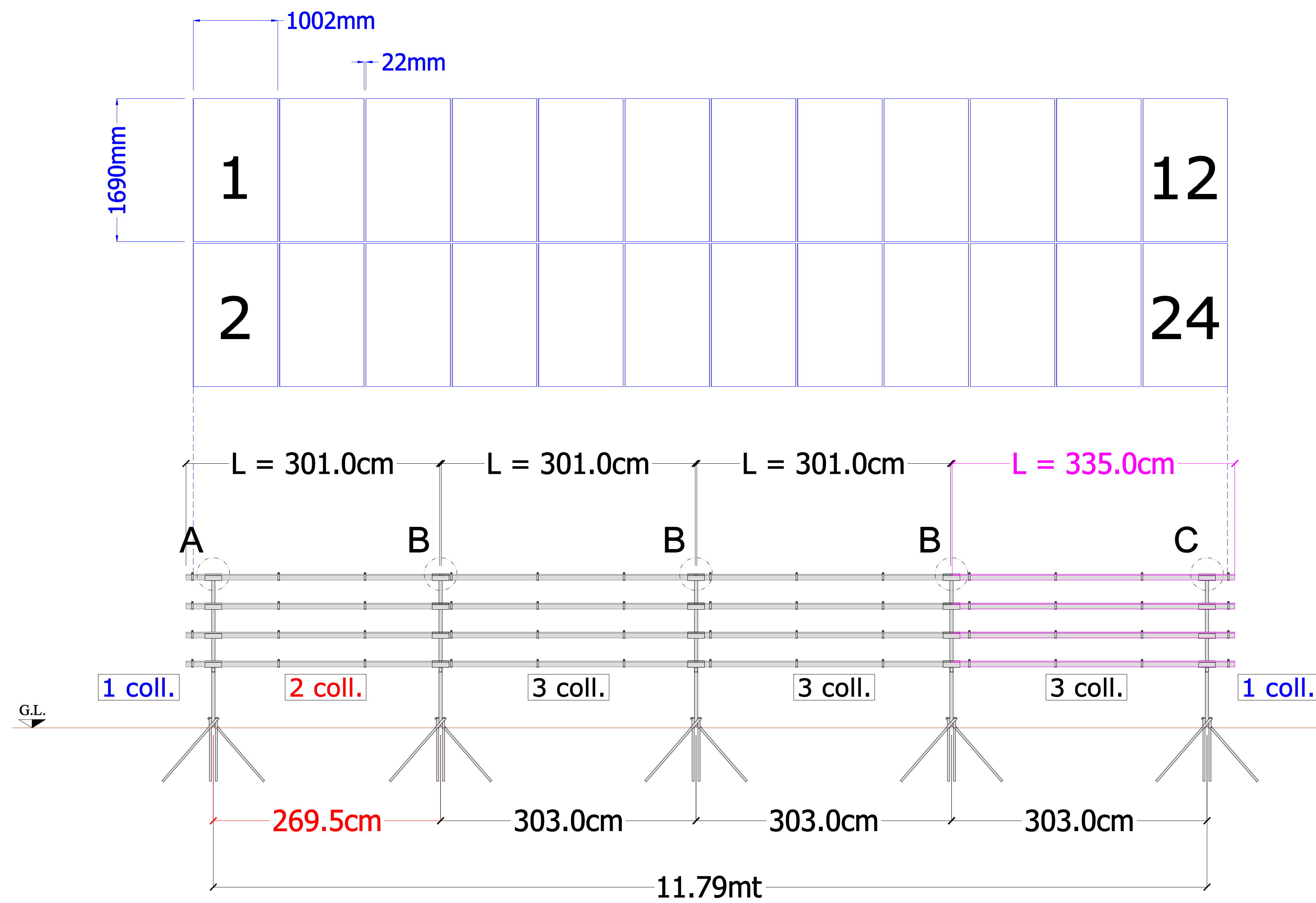
- 4 FRAMEWORKS 30°;
- 8 PURLINS L=395cm;
- 4 PURLINS L=368.5cm;
- 48 COLLARS.

**DO NOT CUT THE HORIZONTAL PROFILES FOR ANY REASONS, SINCE THEY ARE ALREADY CUT ON SIZE.**

Typology of rack: **11+11**  
 Number of racks: **4**

DRAWN	NAME	DATE	Solar Place Opole Voivodeship_400kWp project		
CHECKED	RR	04/03/2020	TITLE Layout Racks.		
 <b>TreeSystem s.r.l.</b> Via Moraro n°22, 35020, Pozzonovo (PD) Tel/fax +390429773082			SIZE	DWG N°:	REV
			SCALE:	WEIGHT:	SHEET

**13**



For each rack, it is required:

- 5 FRAMEWORKS 30°;
- 12 PURLINS L=301cm;
- 4 PURLINS L=335cm;
- 52 COLLARS.

**DO NOT CUT THE HORIZONTAL PROFILES FOR ANY REASONS, SINCE THEY ARE ALREADY CUT ON SIZE.**

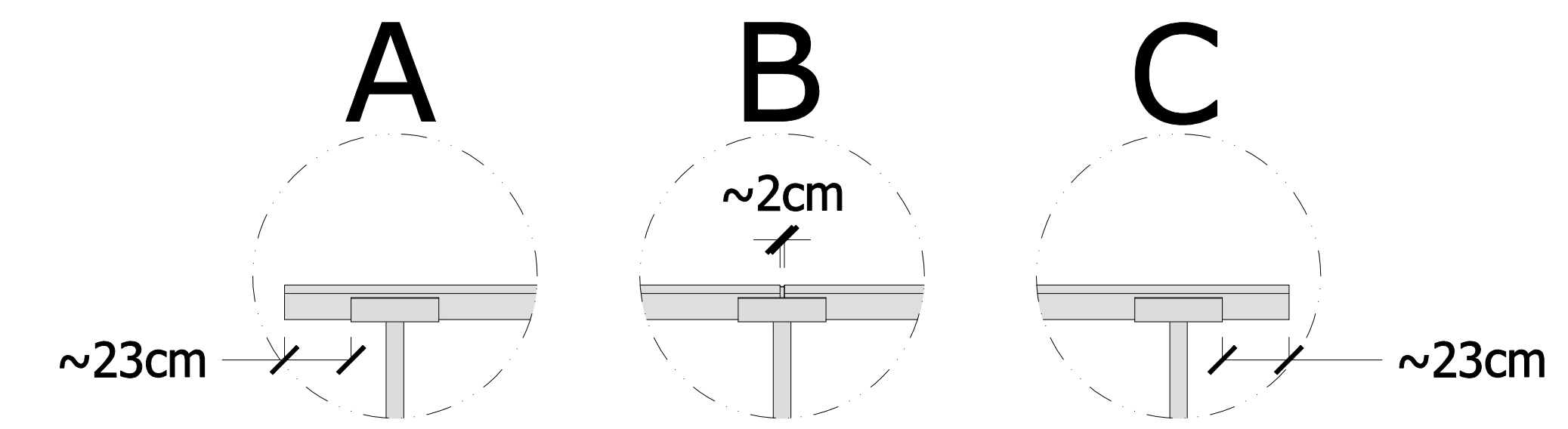
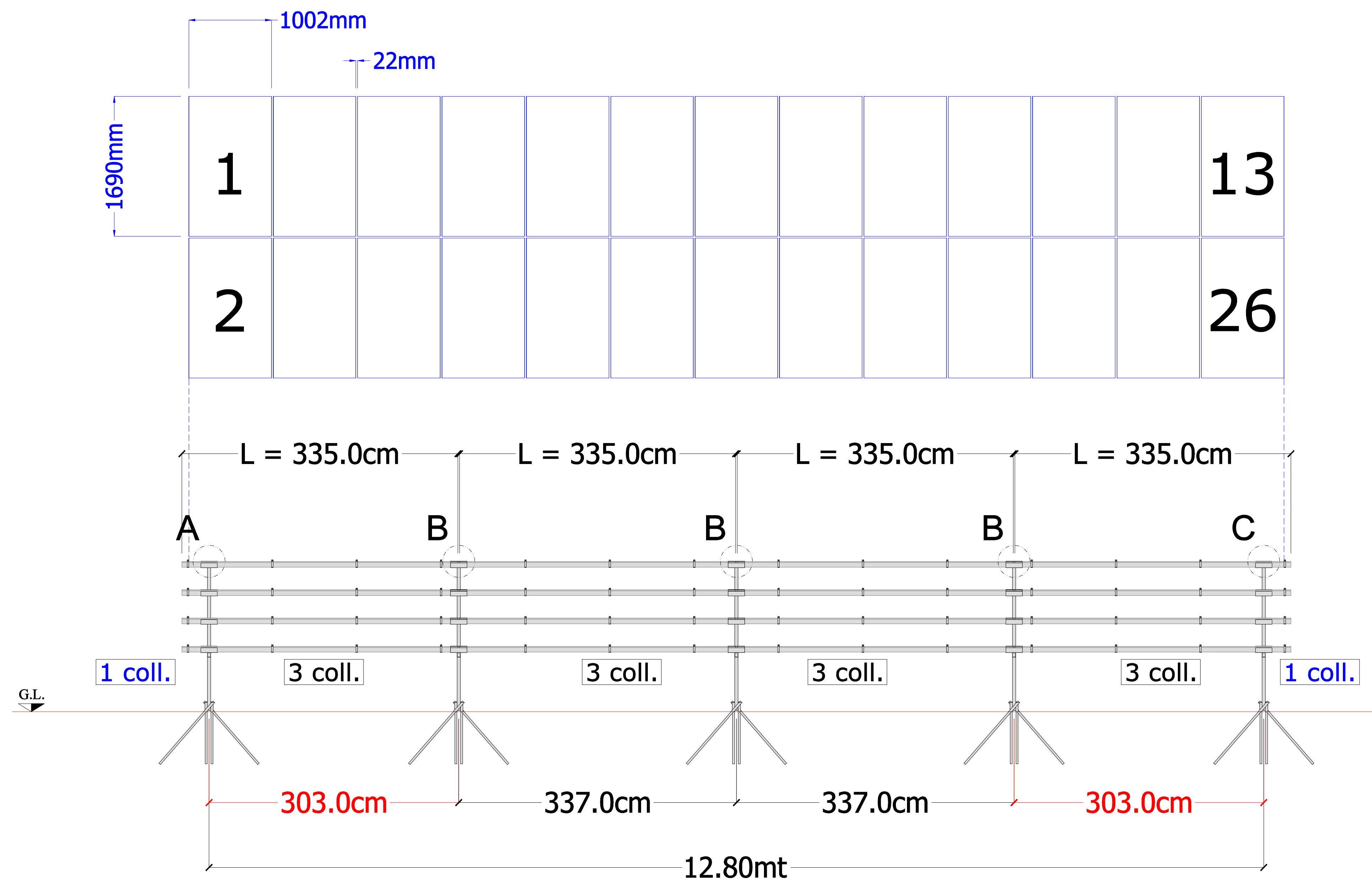
Tipology of rack: **12+12**  
 Number of racks: **4**

DRAWN	NAME	DATE	Solar Place Opole Voivodeship_400kWp project		
CHECKED	RR	04/03/2020	TITLE Layout Racks.		
			SIZE	DWG N°: <b>14</b>	REV
			SCALE:	WEIGHT:	SHEET



**TreeSystem s.r.l.**  
 Via Moraro n°22, 35020, Pozzonovo (PD)  
 Tel/fax +390429773082






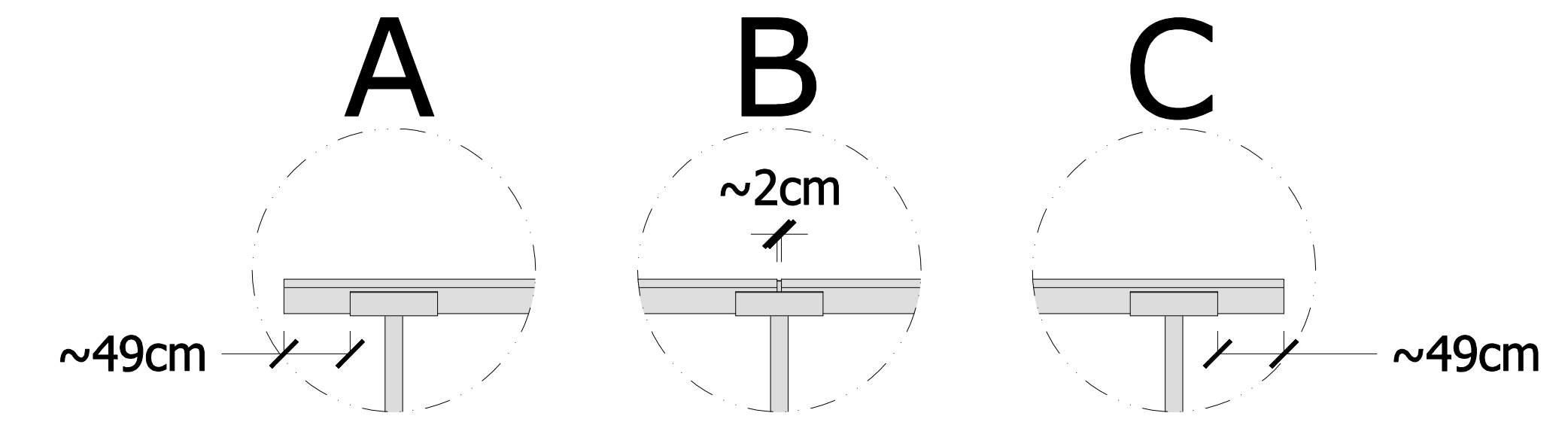
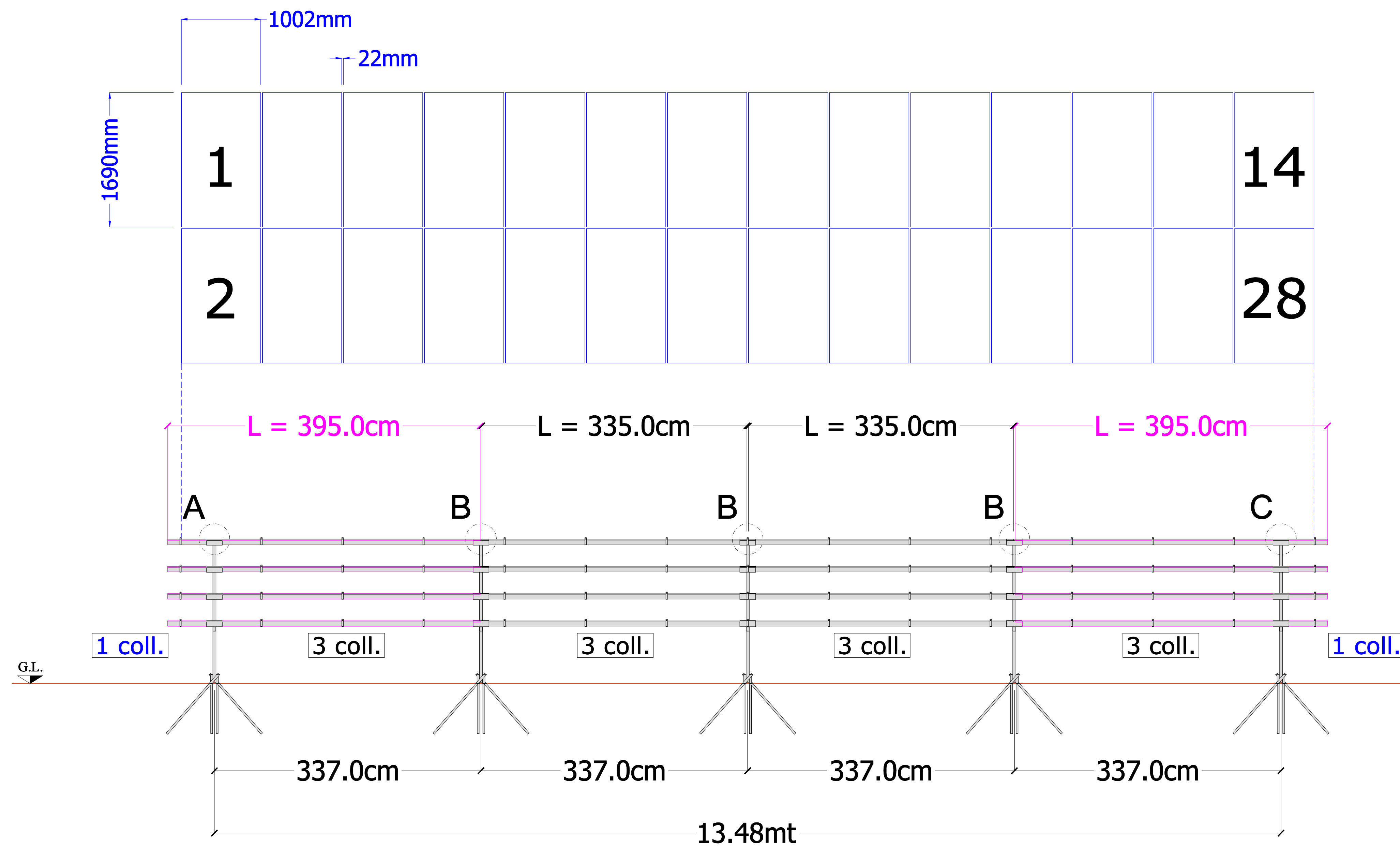
For each rack, it is required:

- 5 FRAMEWORKS 30°;
- 16 PURLINS L=335cm;
- 56 COLLARS.

**DO NOT CUT THE HORIZONTAL PROFILES FOR ANY REASONS, SINCE THEY ARE ALREADY CUT ON SIZE.**

Tipology of rack: **13+13**  
 Number of racks: **4**

DRAWN	NAME	DATE	Solar Place Opole Voivodeship_400kWp project		
CHECKED	RR	04/03/2020	TITLE Layout Racks.		
 <b>TreeSystem s.r.l.</b> Via Moraro n°22, 35020, Pozzonovo (PD) Tel/fax +390429773082			SIZE	DWG N°: <b>15</b>	REV
			SCALE:	WEIGHT:	SHEET




For each rack, it is required:

- 5 FRAMEWORKS 30°;
- 8 PURLINS L=335cm;
- 8 PURLINS L=395cm;
- 56 COLLARS;
- 4 OPEN COLLARS.

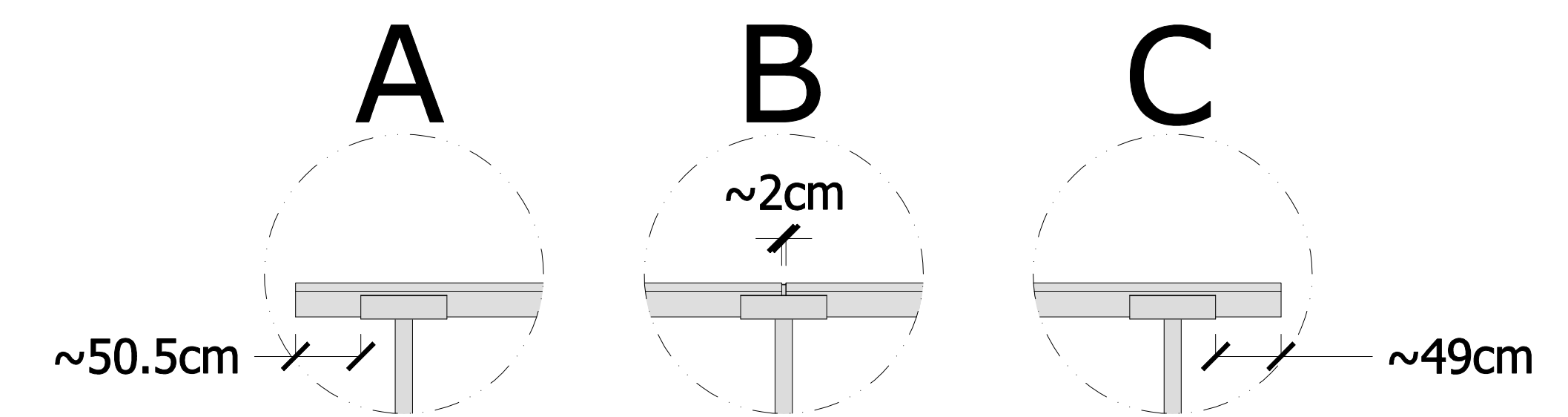
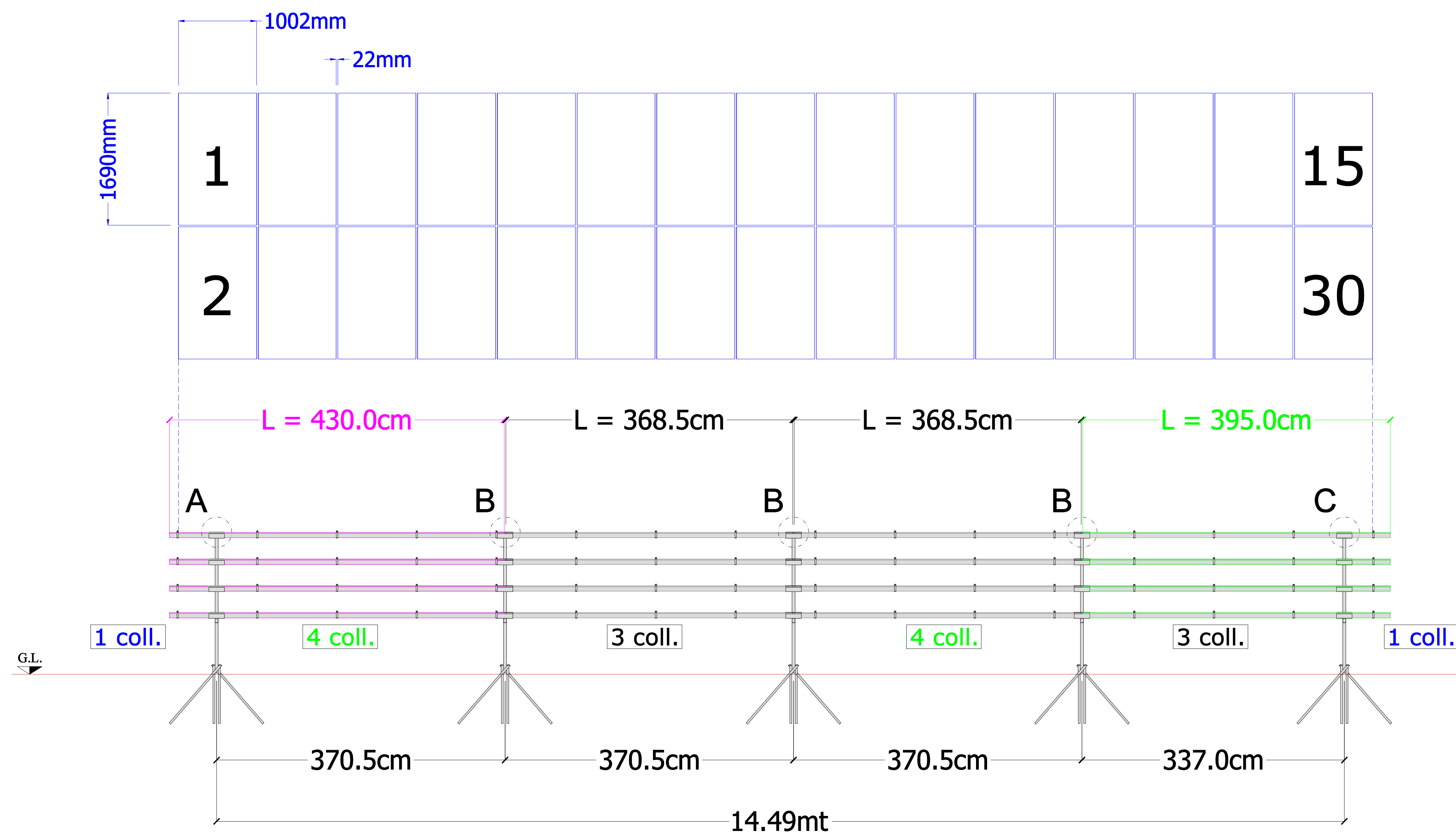
**DO NOT CUT THE HORIZONTAL PROFILES FOR ANY REASONS, SINCE THEY ARE ALREADY CUT ON SIZE.**

**Tipology of rack: 14+14**  
**Number of racks: 4**

DRAWN	NAME	DATE	Solar Place Opole Voivodeship_400kWp project		
CHECKED	RR	04/03/2020	TITLE Layout Racks.		
 <b>TreeSystem s.r.l.</b> Via Moraro n°22, 35020, Pozzonovo (PD) Tel/fax +390429773082			SIZE	DWG N°:	REV
			SCALE:	WEIGHT:	SHEET

**16**






For each rack, it is required:

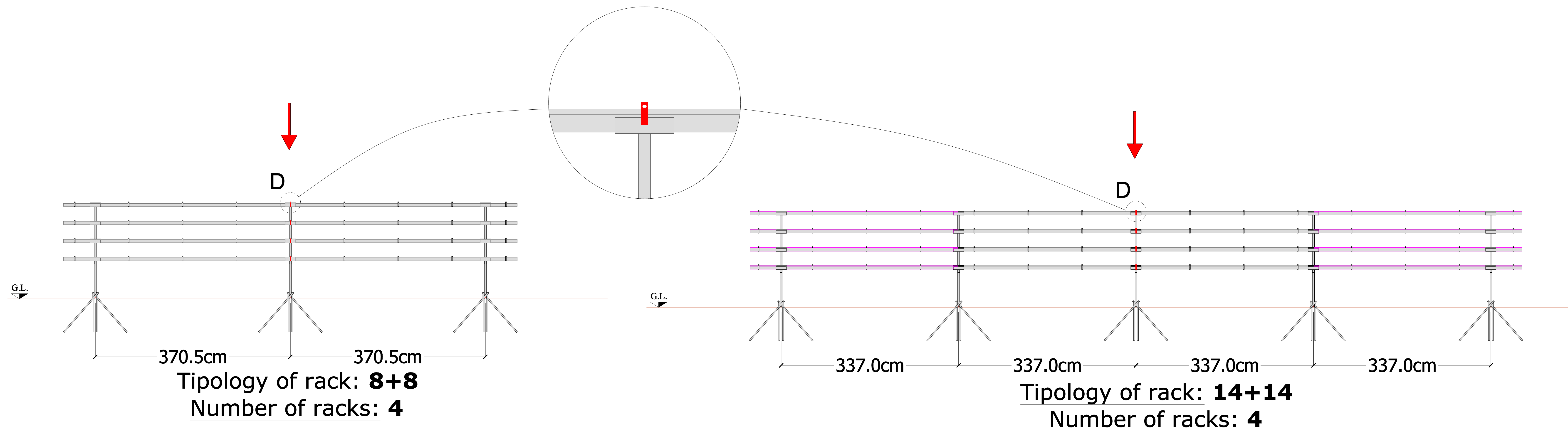
- 5 FRAMEWORKS 30°;
- 8 PURLINS L=368.5cm;
- 4 PURLINS L=430cm;
- 4 PURLINS L=395cm;
- 64 COLLARS.

**DO NOT CUT THE HORIZONTAL PROFILES FOR ANY REASONS, SINCE THEY ARE ALREADY CUT ON SIZE.**

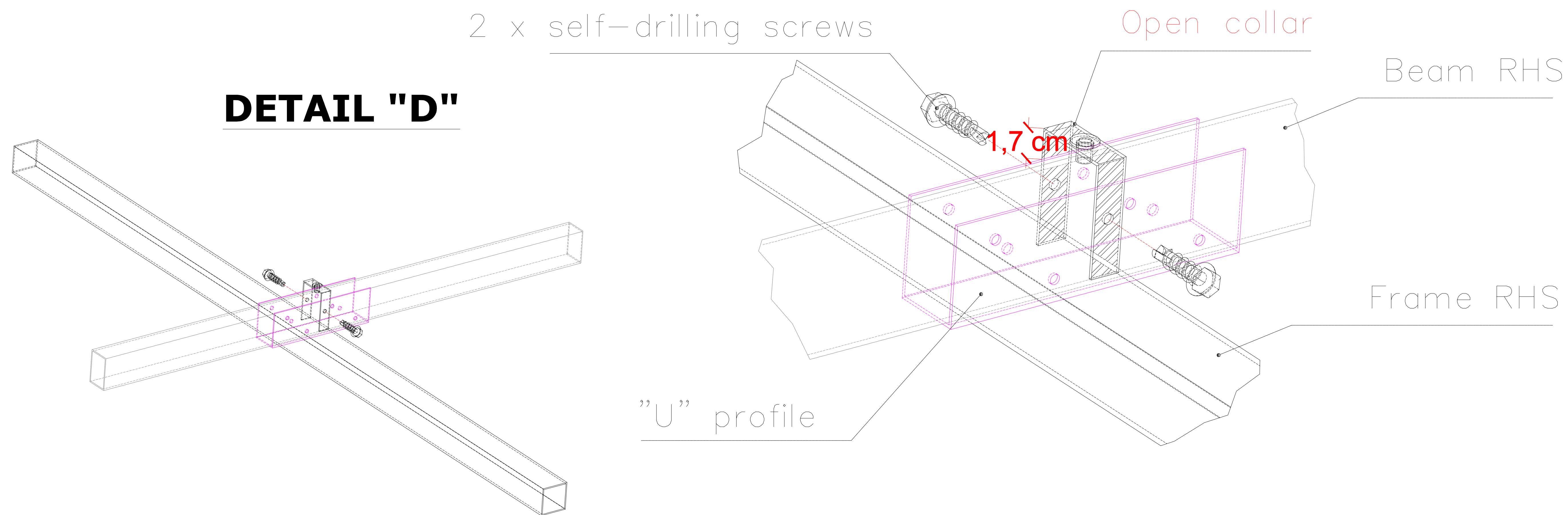
Tipology of rack: **15+15**  
 Number of racks: **15**

DRAWN	NAME	DATE	Solar Place Opole Voivodeship_400kWp project	
CHECKED	RR	04/03/2020	TITLE Layout Racks.	
 <b>TreeSystem s.r.l.</b> Via Moraro n°22, 35020, Pozzonovo (PD) Tel/fax +390429773082			SIZE	DWG N°: <b>17</b>
SCALE:		WEIGHT:	SHEET	
				REV

D



**DETAIL "D"**



Fix the open collars in the middle of the "U" profile welded on the frame shown in the drawing.  
 The open collars should jut out approximately **1,7 cm** from the top edge of the "U" profile where they are fixed to.

	NAME	DATE			
DRAWN	RR	04/03/2020	Solar Place Opole Voivodeship_400kWp project		
CHECKED					
			TITLE Fastening open collars to the middle frame.		
			SIZE	DWG N°: <b>18</b>	REV
			SCALE:	WEIGHT:	SHEET

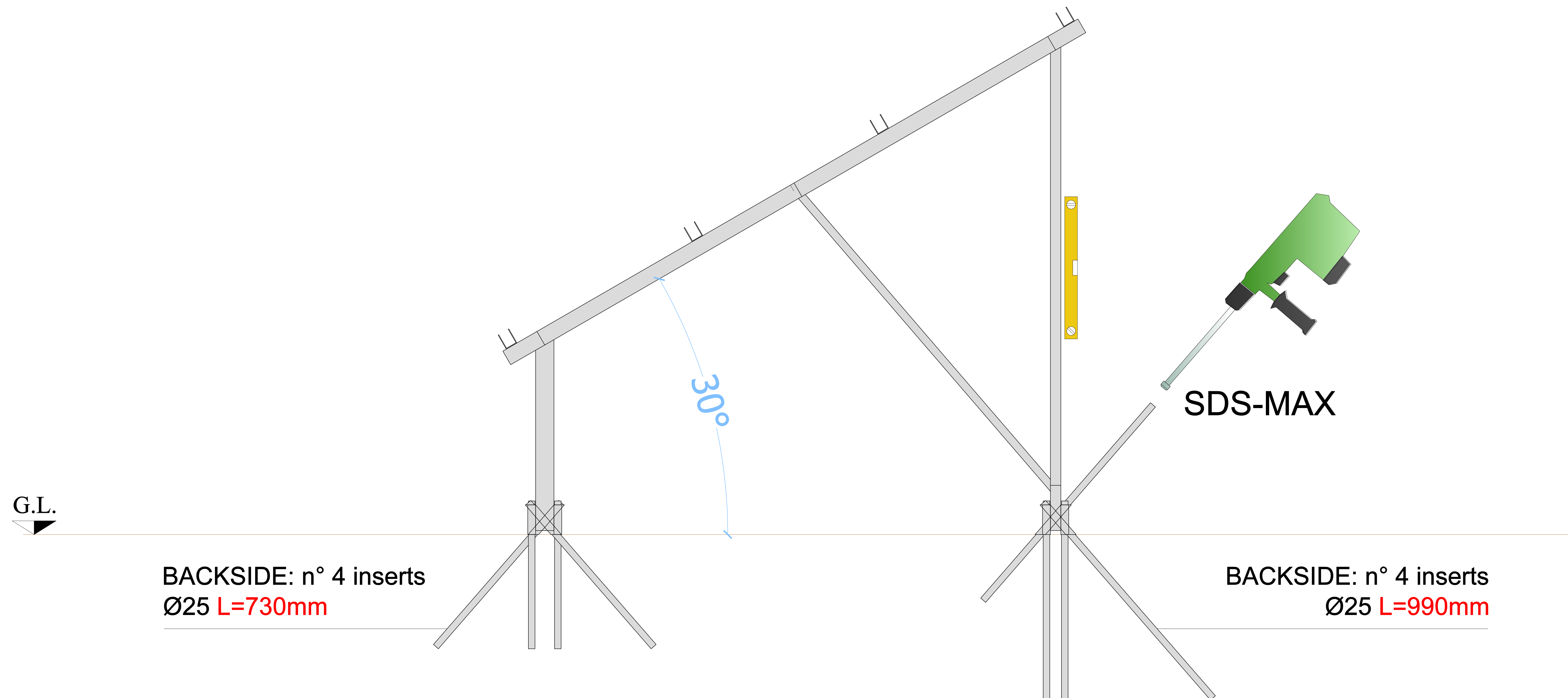
  
**TreeSystem s.r.l.**  
 Via Moraro n°22, 35020, Pozzonovo (PD)  
 Tel/fax +390429773082



PAY ATTENTION TO THE DIFFERENT LENGTH OF THE INSERTS.



JACK HAMMER with SDS-MAX SOCKET REQUIRED



BACKSIDE: n° 4 inserts  
Ø25 L=730mm

BACKSIDE: n° 4 inserts  
Ø25 L=990mm

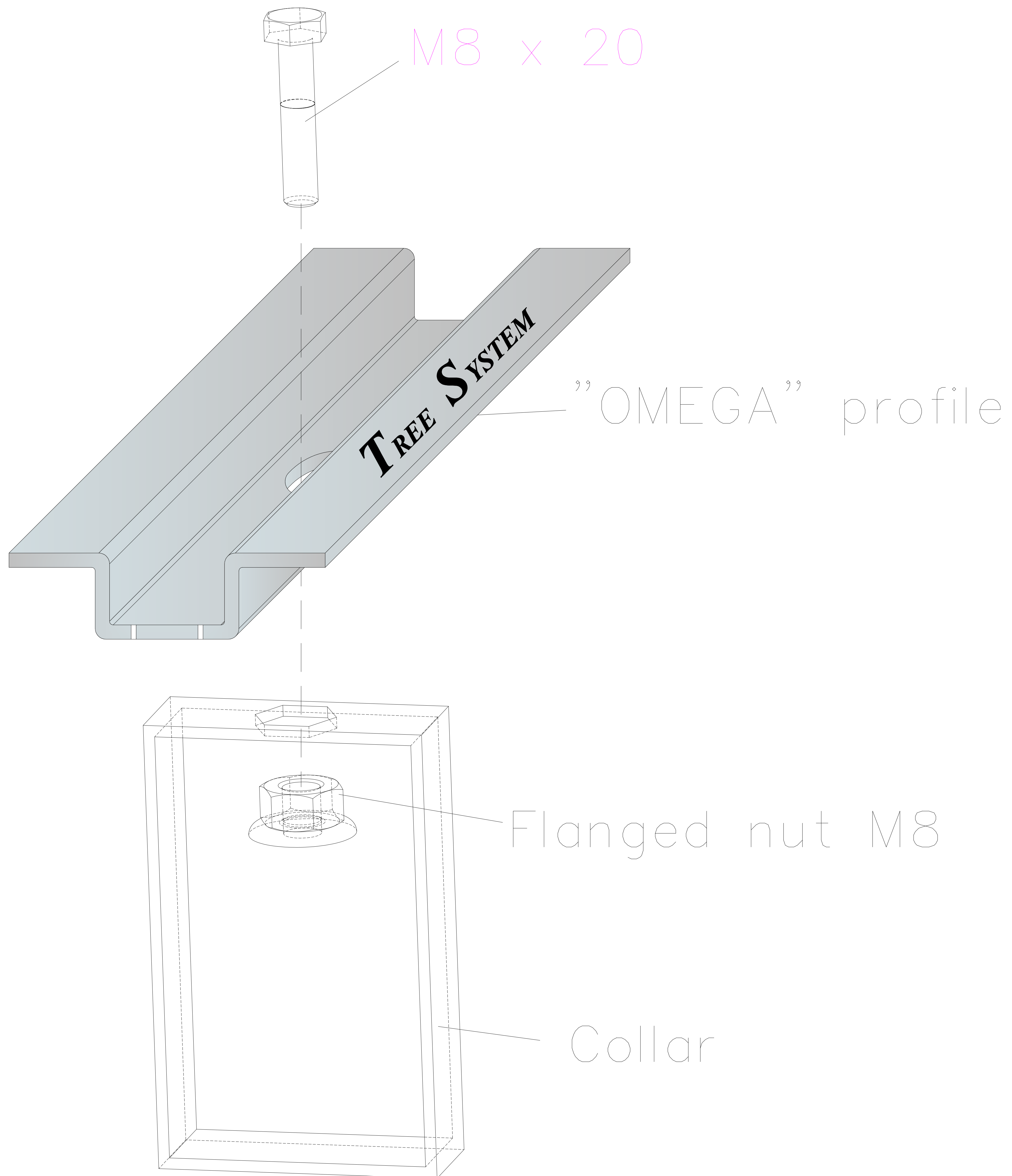
Driving-in the inserts to the ground through guides placed at the base of the frames, using a jack-hammer with SDS-MAX attack for tool, only when all the structure is installed and it has checked that the spirit level giving the transverse orientation of the structure indicates the horizontal.

IN CASE OF DAMAGING OF THE COATING DURING THE INSTALLATION, BE CAREFUL TO REPAIR IT PROMPTLY.

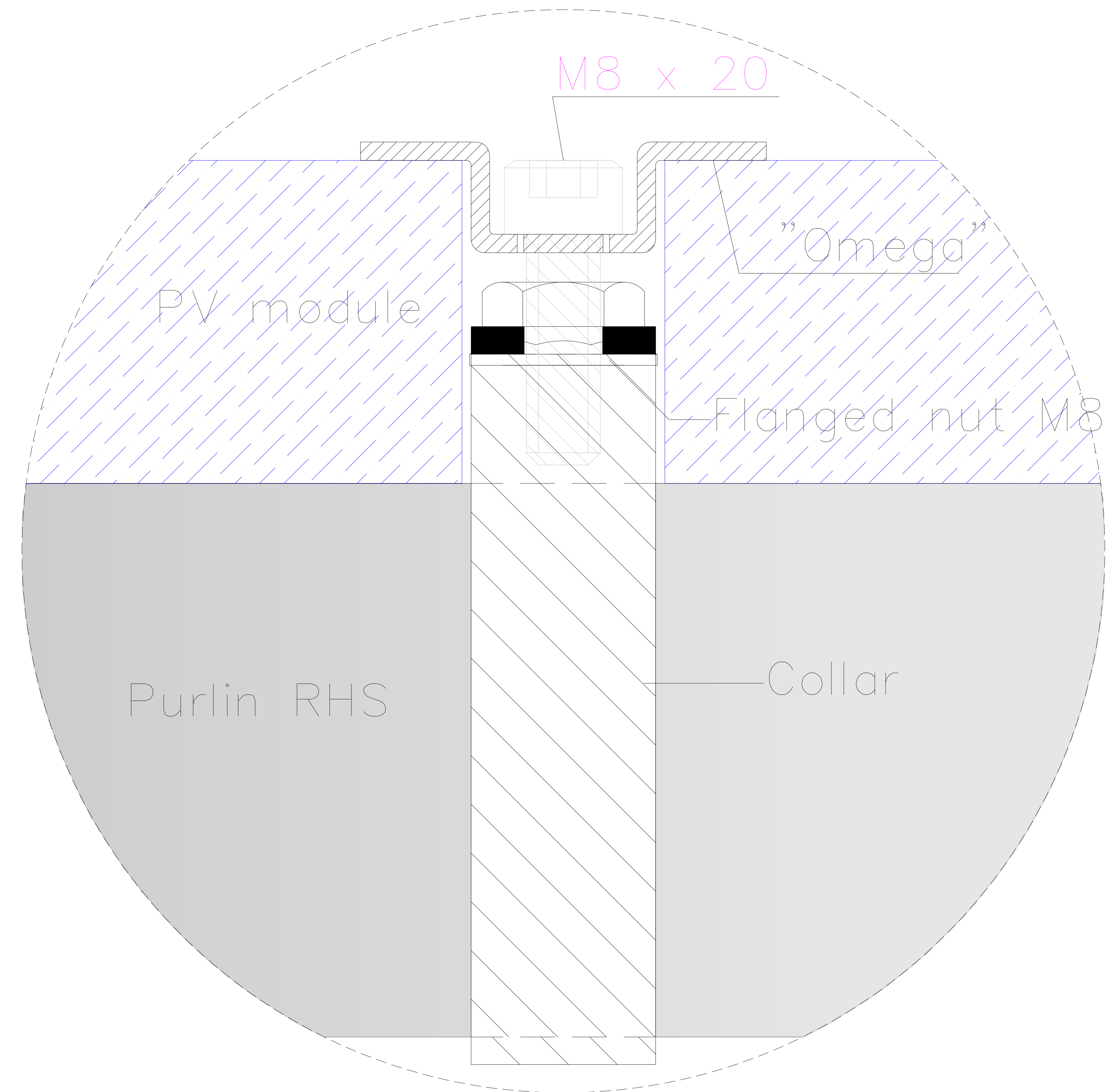
	NAME	DATE		
DRAWN	RR	04/03/2020	Solar Place Opole Voivodeship_400kWp project	
CHECKED				
			TITLE Anchoring the structure to the ground.	
SIZE	DWG N°:		19	REV
SCALE:	WEIGHT:	SHEET		



TreeSystem s.r.l.  
Via Moraro n°22, 35020, Pozzonovo (PD)  
Tel/fax +390429773082



# DETAIL "D"



**PERMITTED TIGHTENING TORQUE OF MAX 10 Nm (to be verified with the prescriptions of the module manufacturer).**



	NAME	DATE		
DRAWN	RR	04/03/2020	Solar Place Opole Voivodeship_400kWp project	
CHECKED				
			TITLE Fastening for photovoltaic modules.	
SIZE	DWG N°: <b>20</b>		REV	
SCALE:	WEIGHT:	SHEET		



**TreeSystem s.r.l.**  
Via Moraro n°22, 35020, Pozzonovo (PD)  
Tel/fax +390429773082



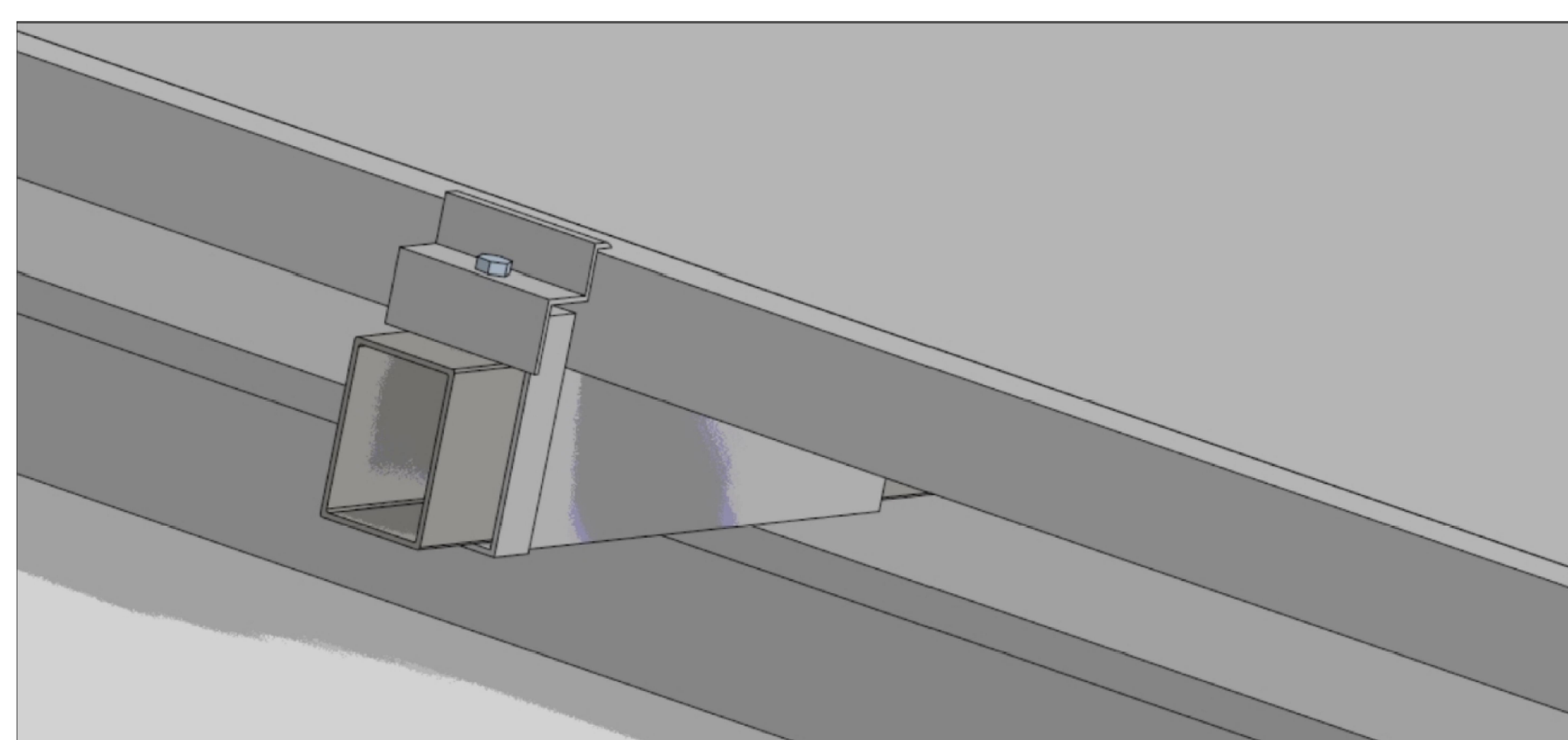
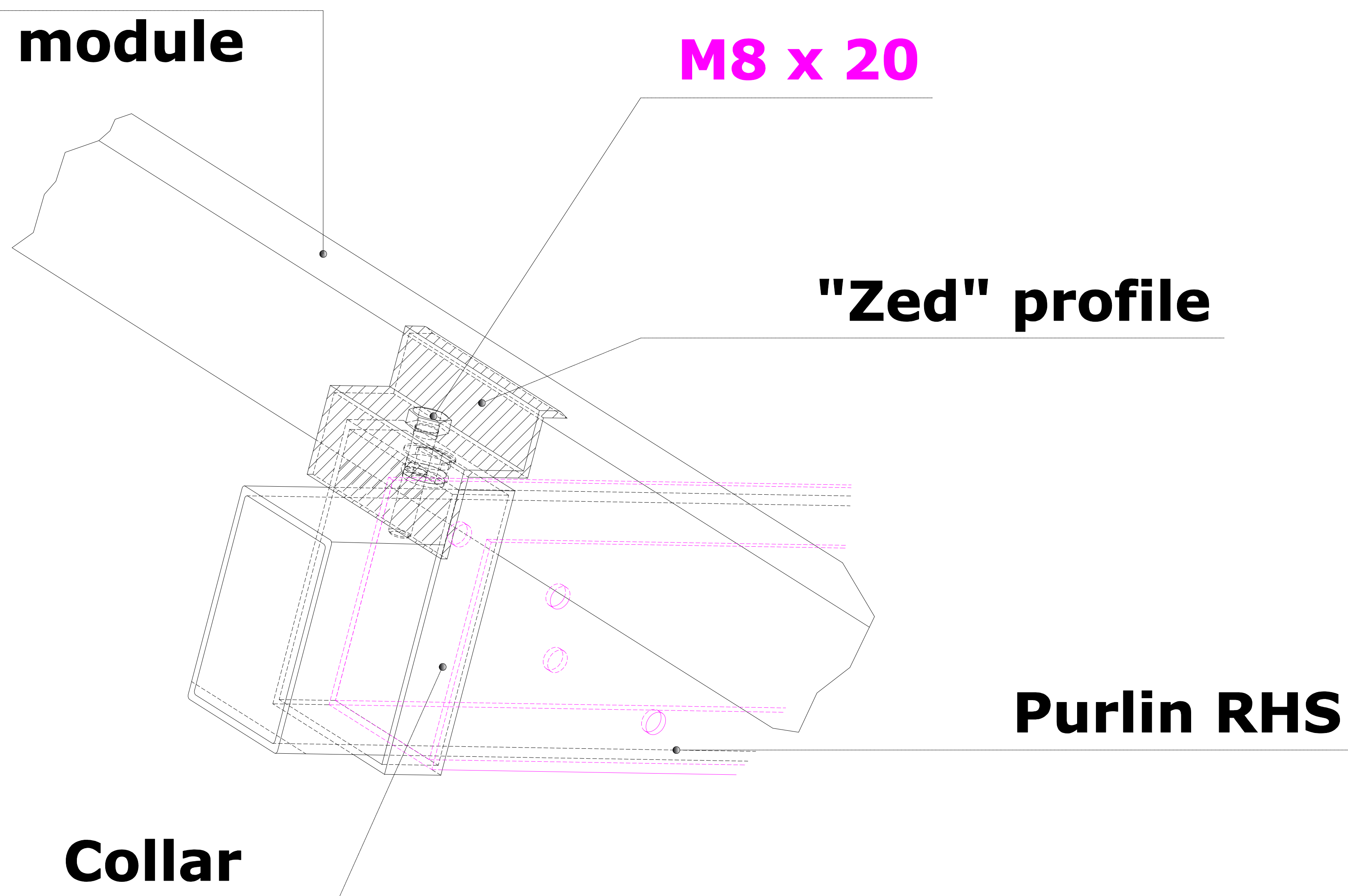
**Abutment of the module**

**M8 x 20**

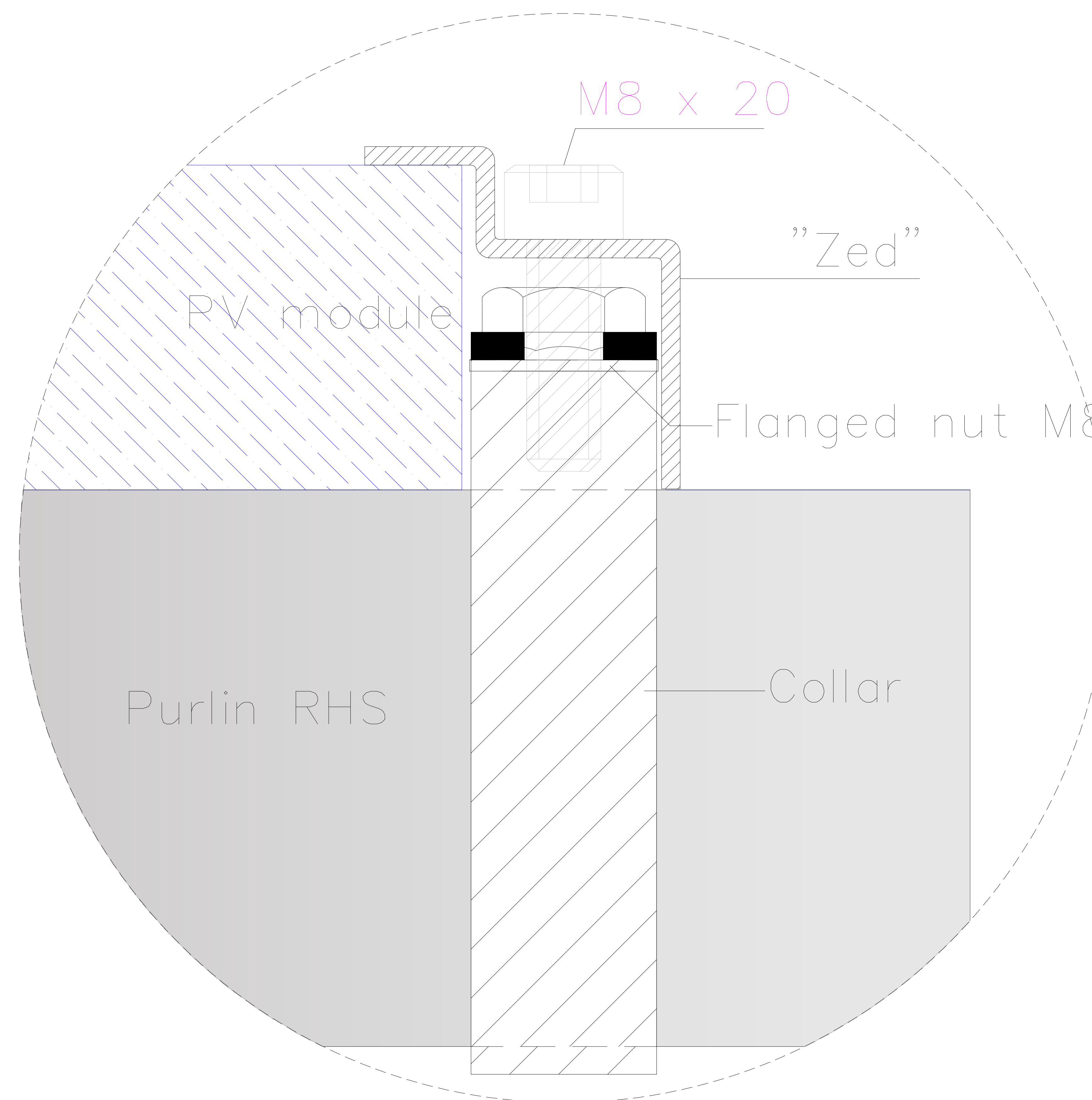
**"Zed" profile**

**Purlin RHS**

**Collar**




# DETAIL "E"



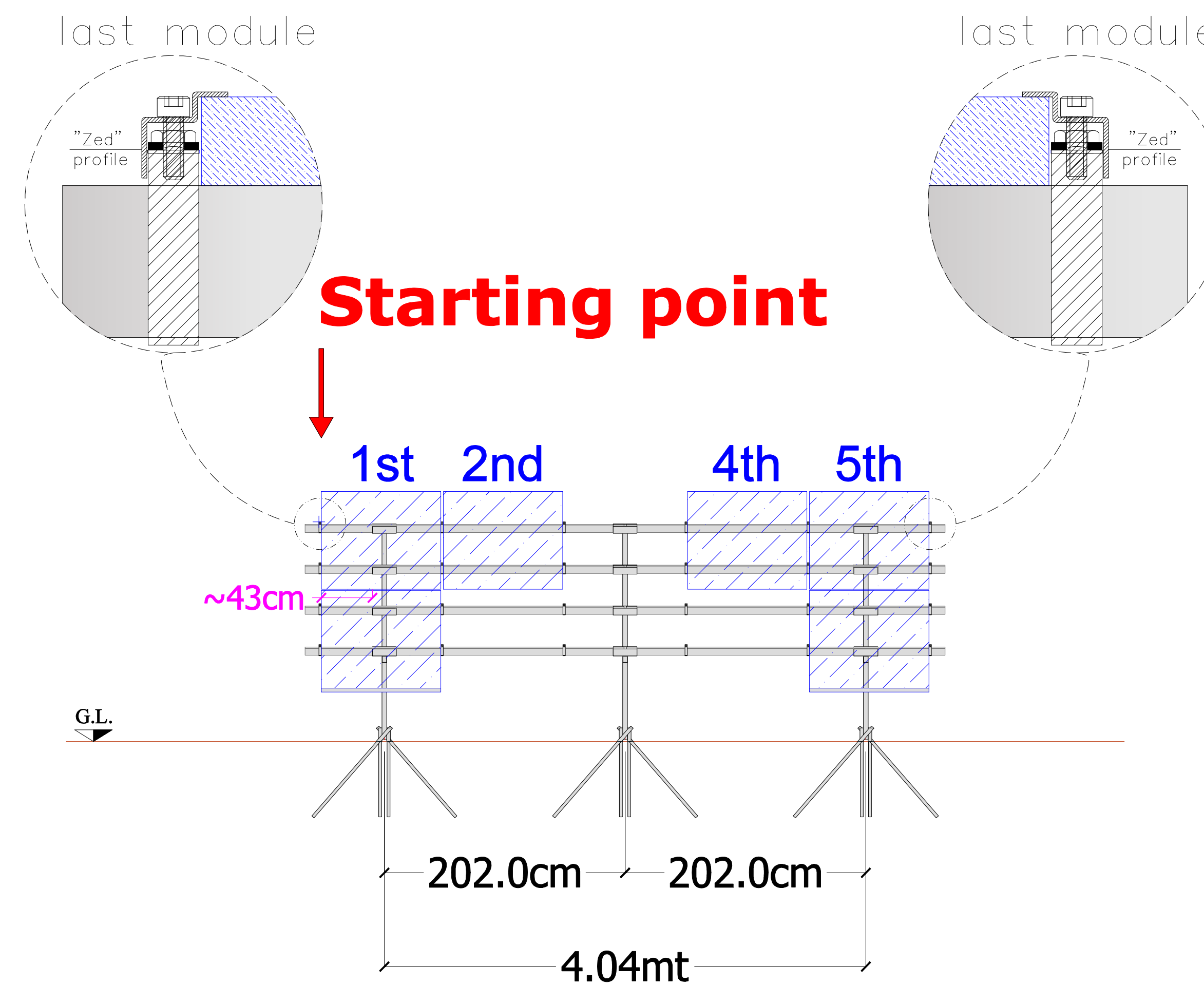
**PERMITTED TIGHTENING TORQUE OF MAX 10 Nm (to be verified with the prescriptions of the module manufacturer).**



ALLEN KEY SIZE REQUIRED size 6mm

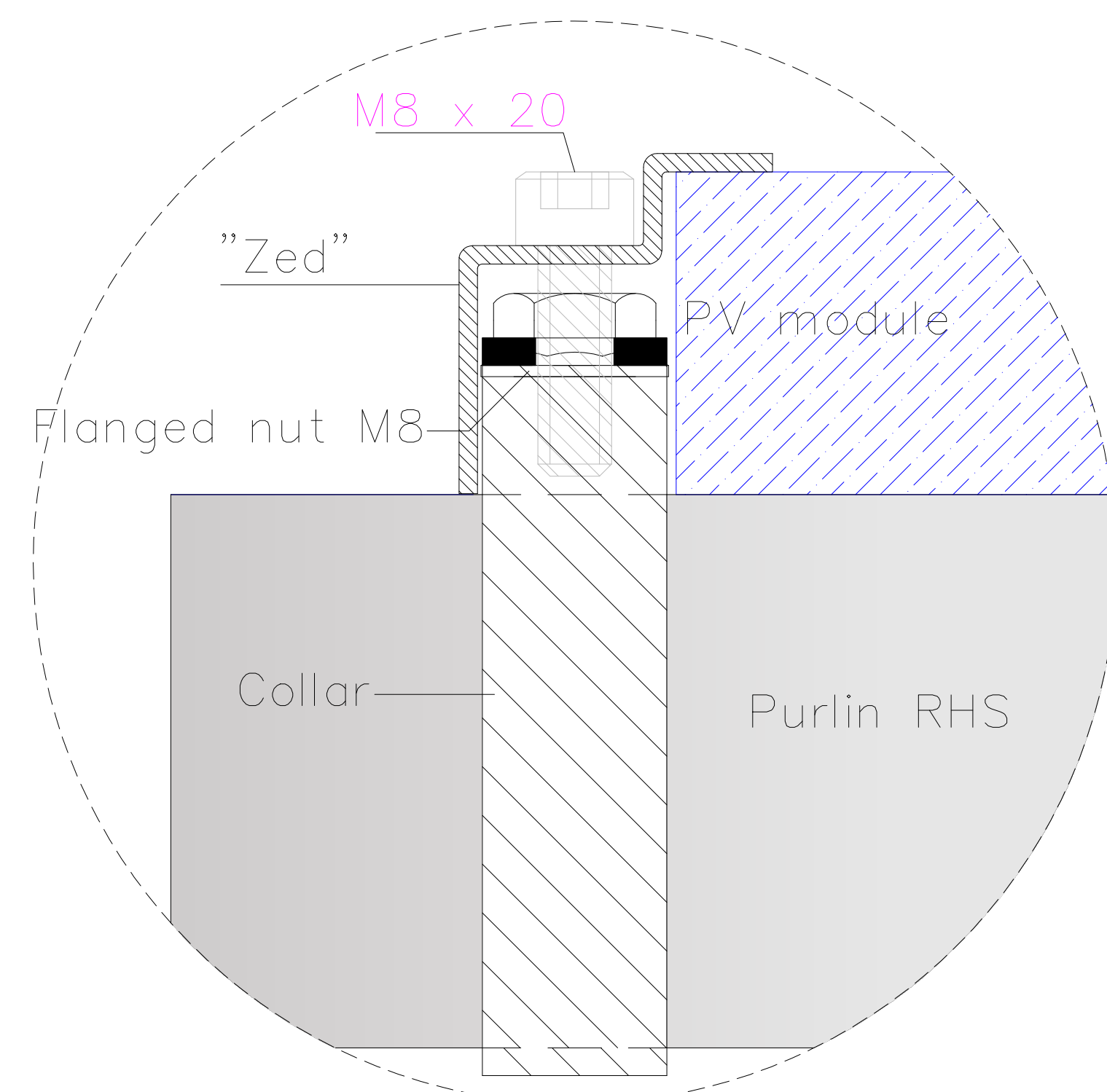
	NAME	DATE	Solar Place Opole Voivodeship_400kWp project		
DRAWN	RR	04/03/2020	TITLE Fastening for photovoltaic modules.		
CHECKED					
 <b>TreeSystem s.r.l.</b> Via Moraro n°22, 35020, Pozzonovo (PD) Tel/fax +390429773082			SIZE	DWG N°: <b>21</b>	REV
SCALE:	WEIGHT:	SHEET			

**Starting point:** for a correct installation of PV modules, you should start from the red point, keeping the first PV module of the row at about **43cm** from the left edge of the "U" profile welded on the first framework and going ahead to the right, as illustrated.




**Tipology of rack: 5+5**  
**Number of racks: 4**

**DETAIL "E"**

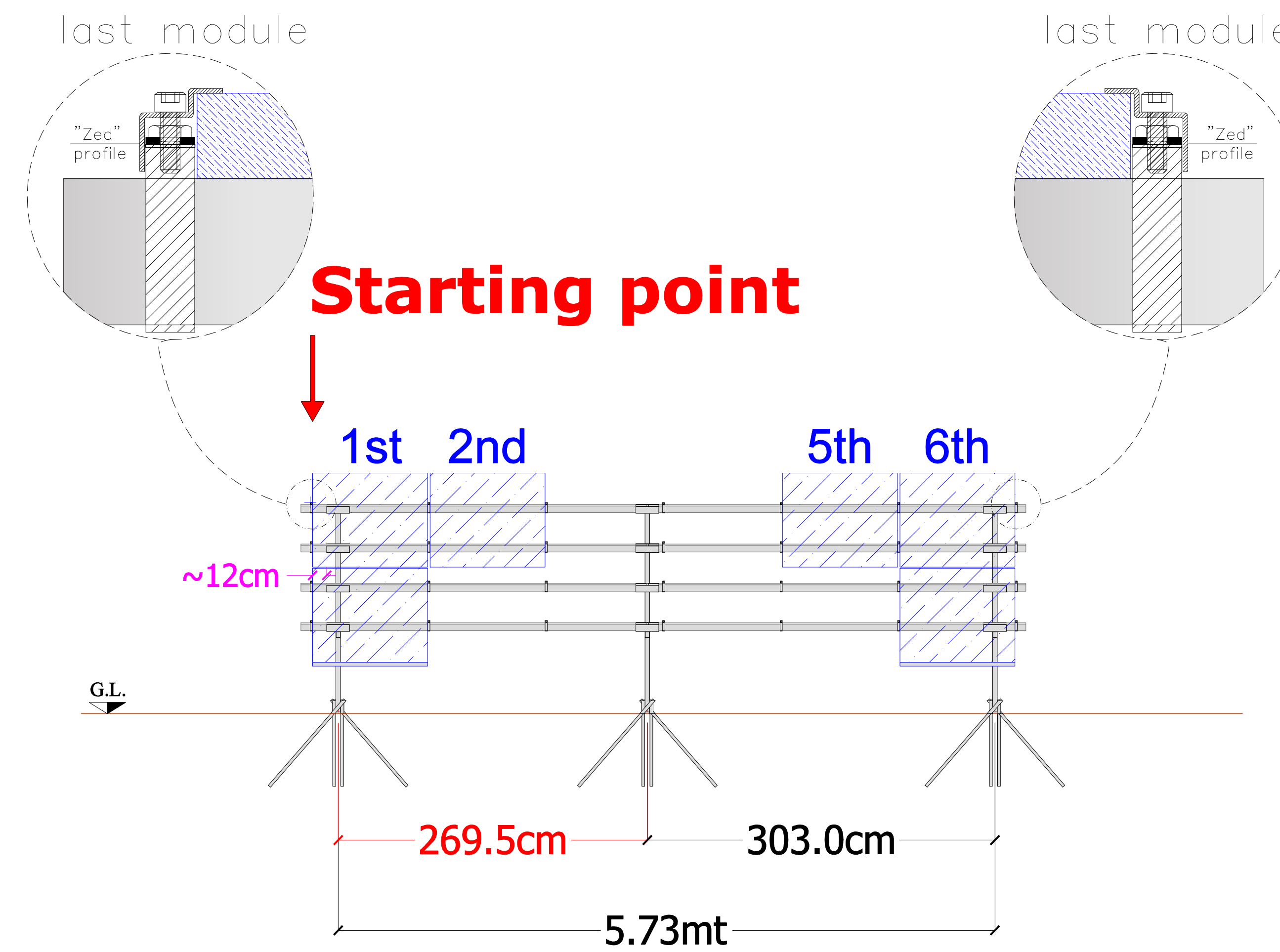


**PERMITTED TIGHTENING TORQUE OF MAX 10 Nm (to be verified with the prescriptions of the module manufacturer).**

	NAME	DATE	Solar Place Opole Voivodeship_400kWp project		
DRAWN	RR	04/03/2020	TITLE Fastening for photovoltaic modules.		
CHECKED					
 <b>TreeSystem s.r.l.</b> Via Moraro n°22, 35020, Pozzonovo (PD) Tel/fax +390429773082			SIZE	DWG N°: <b>22</b>	REV
			SCALE:	WEIGHT:	SHEET

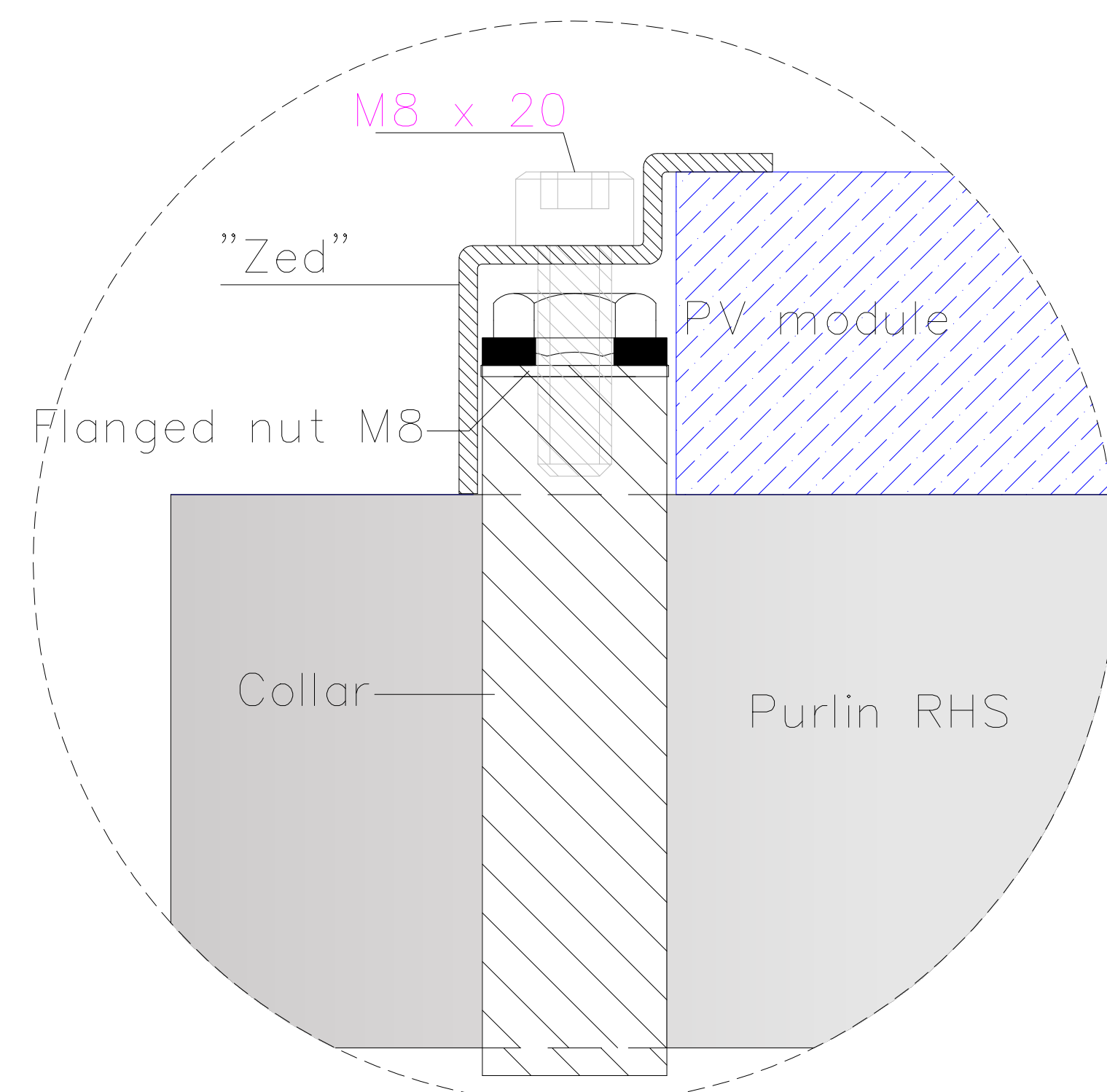


**Starting point:** for a correct installation of PV modules, you should start from the red point, keeping the first PV module of the row at about **12cm** from the left edge of the "U" profile welded on the first framework and going ahead to the right, as illustrated.




**Tipology of rack: 6+6**  
**Number of racks: 4**

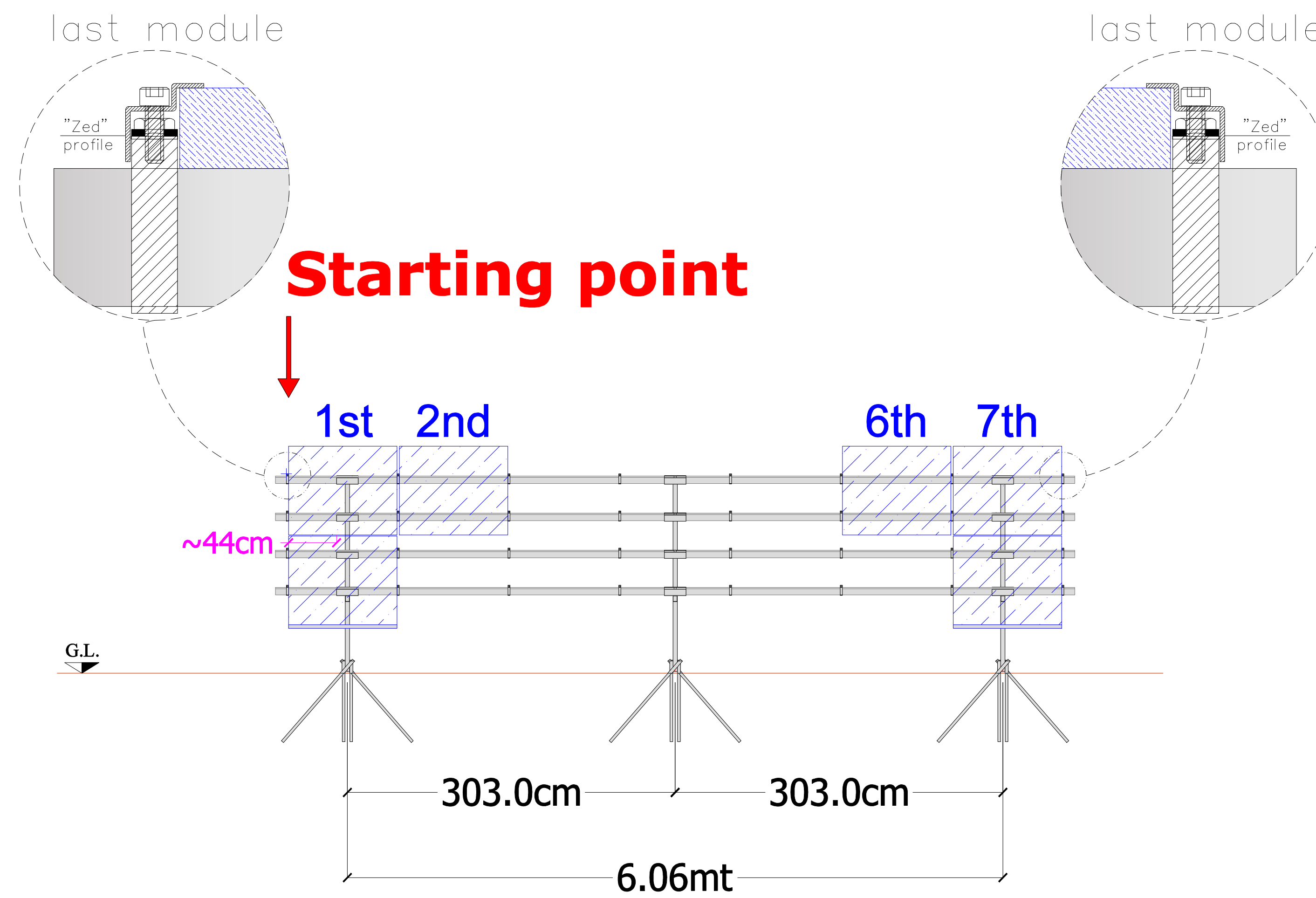
**DETAIL "E"**



**PERMITTED TIGHTENING TORQUE OF MAX 10 Nm (to be verified with the prescriptions of the module manufacturer).**

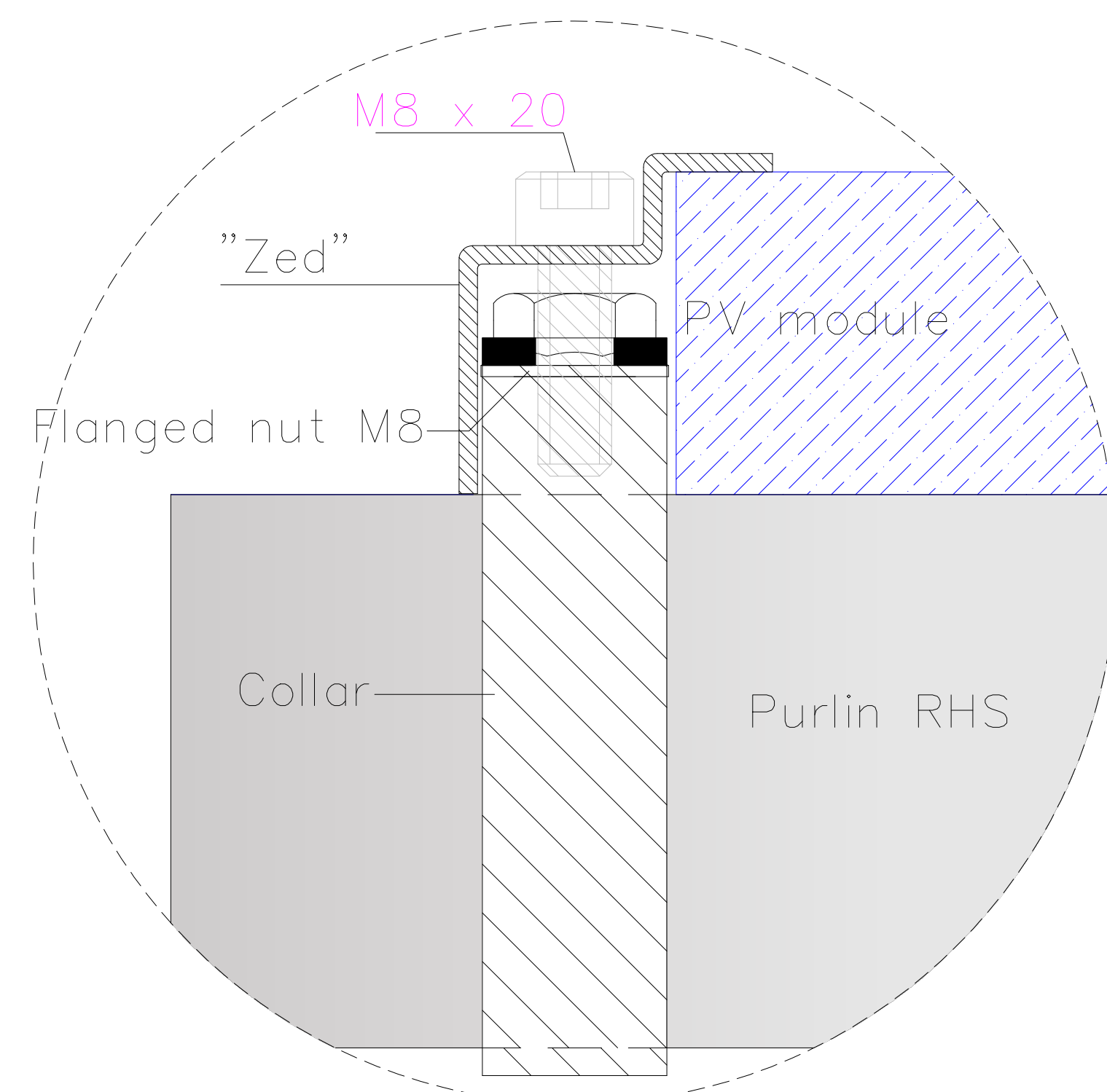
	NAME	DATE	Solar Place Opole Voivodeship_400kWp project		
DRAWN	RR	04/03/2020	TITLE Fastening for photovoltaic modules.		
CHECKED					
 <b>TreeSystem s.r.l.</b> Via Moraro n°22, 35020, Pozzonovo (PD) Tel/fax +390429773082			SIZE	DWG N°: <b>23</b>	REV
			SCALE:	WEIGHT:	SHEET

**Starting point:** for a correct installation of PV modules, you should start from the red point, keeping the first PV module of the row at about 44cm from the left edge of the "U" profile welded on the first framework and going ahead to the right, as illustrated.




Tipology of rack: **7+7**  
 Number of racks: **4**

### DETAIL "E"

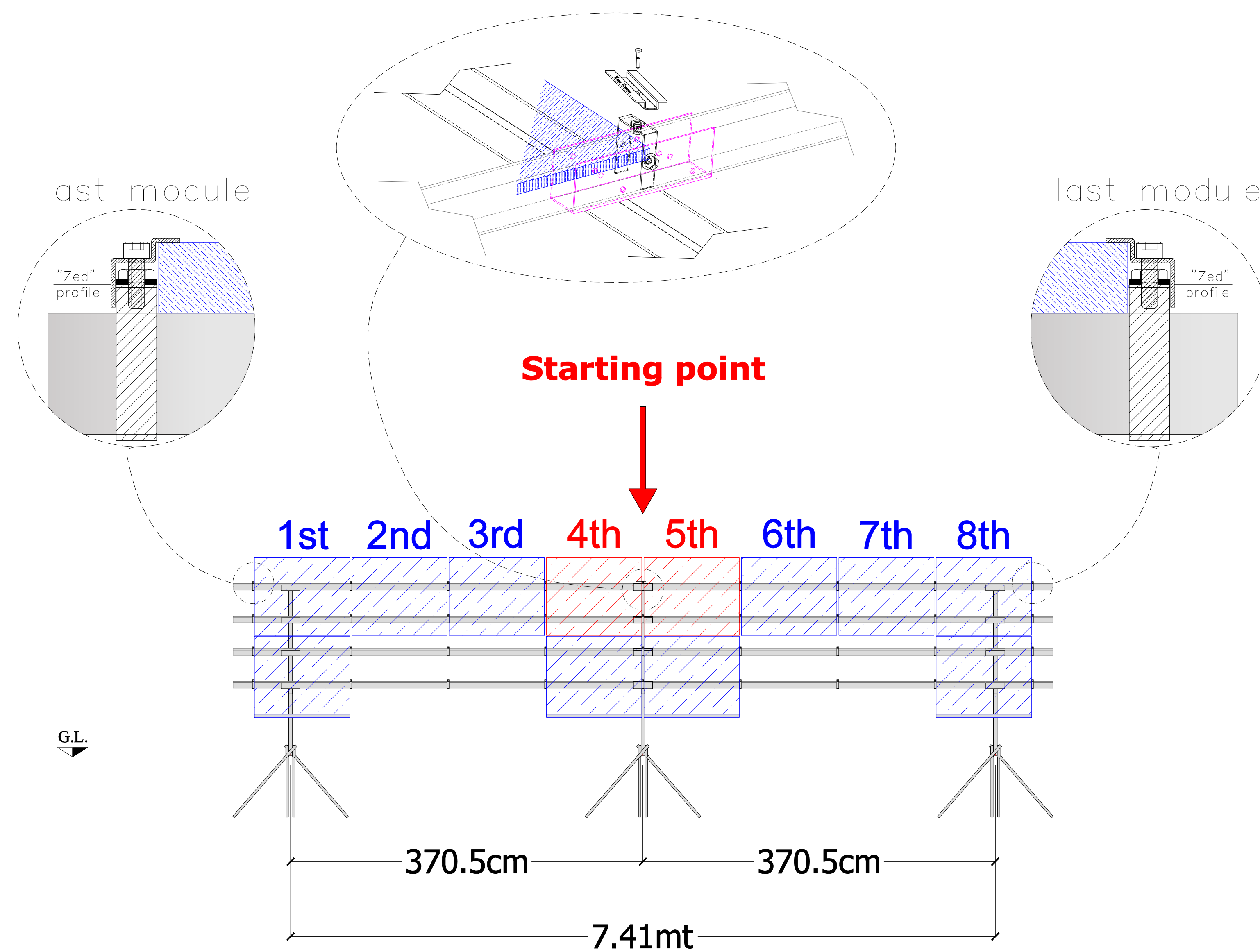


**PERMITTED TIGHTENING TORQUE OF MAX 10 Nm (to be verified with the prescriptions of the module manufacturer).**

	NAME	DATE	Solar Place Opole Voivodeship_400kWp project		
DRAWN	RR	04/03/2020	TITLE Fastening for photovoltaic modules.		
CHECKED					
 <b>TreeSystem s.r.l.</b> Via Moraro n°22, 35020, Pozzonovo (PD) Tel/fax +390429773082			SIZE	DWG N°: <b>24</b>	REV
			SCALE:	WEIGHT:	SHEET

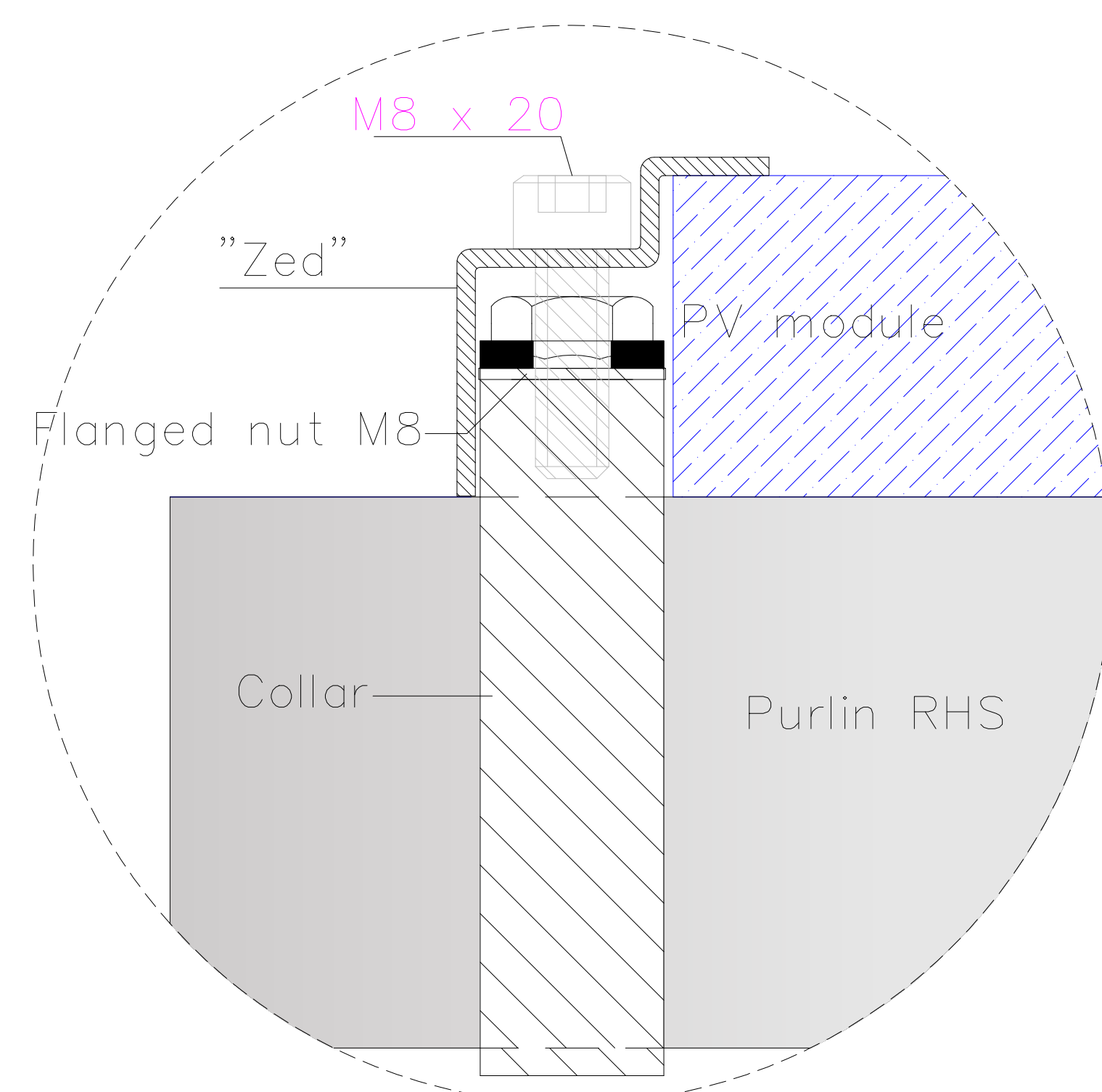


**Starting point:** for a correct installation of PV modules, you should start from the open collar fixed on the "U" profile welded on the frame positioned at the middle of the rack and proceeding before in one direction and then in the other one, as illustrated.




**Tipology of rack: 8+8**  
**Number of racks: 4**

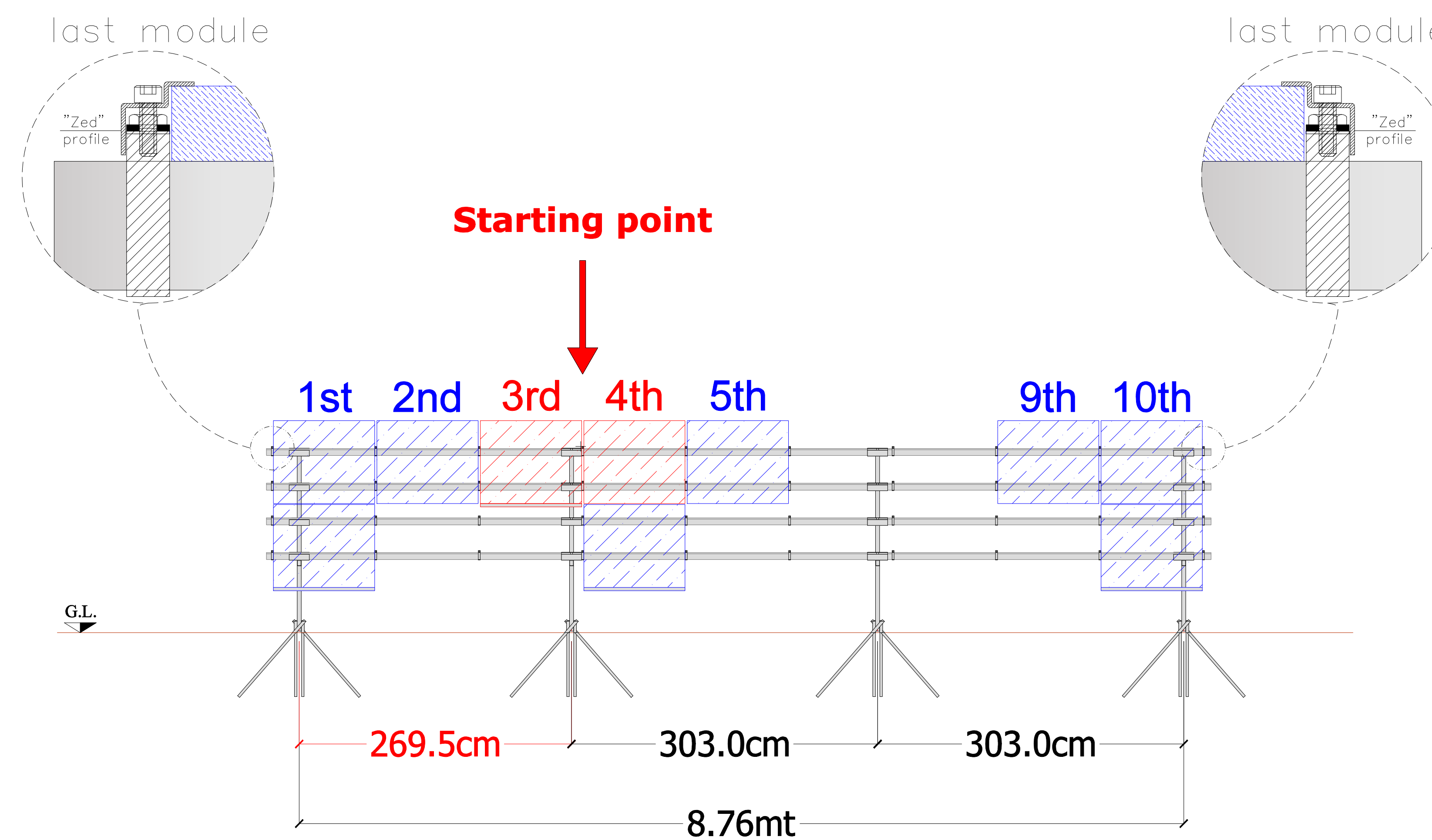
**DETAIL "E"**



**PERMITTED TIGHTENING TORQUE OF MAX 10 Nm (to be verified with the prescriptions of the module manufacturer).**

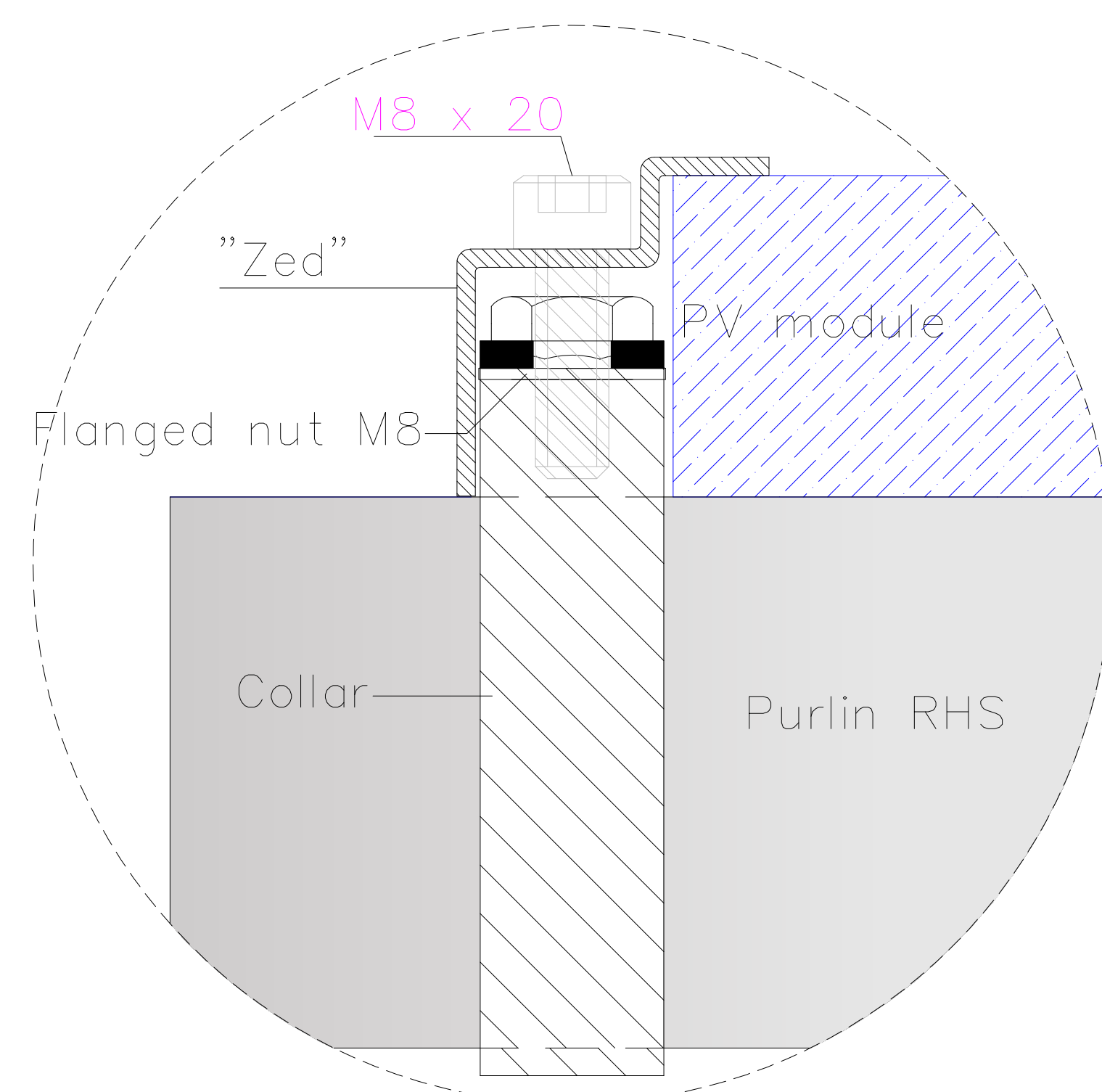
	NAME	DATE	Solar Place Opole Voivodeship_400kWp project		
DRAWN	RR	04/03/2020	TITLE Fastening for photovoltaic modules.		
CHECKED					
 <b>TreeSystem s.r.l.</b> Via Moraro n°22, 35020, Pozzonovo (PD) Tel/fax +390429773082			SIZE	DWG N°: <b>25</b>	REV
			SCALE:	WEIGHT:	SHEET

**Starting point:** for a correct installation of PV modules, you should start from the red point, leaning the collars against the right edge of the "U" profile welded on the second framework and going ahead before in one direction and then in the other one, as illustrated.




**Tipology of rack: 9+9**  
**Number of racks: 4**

**DETAIL "E"**

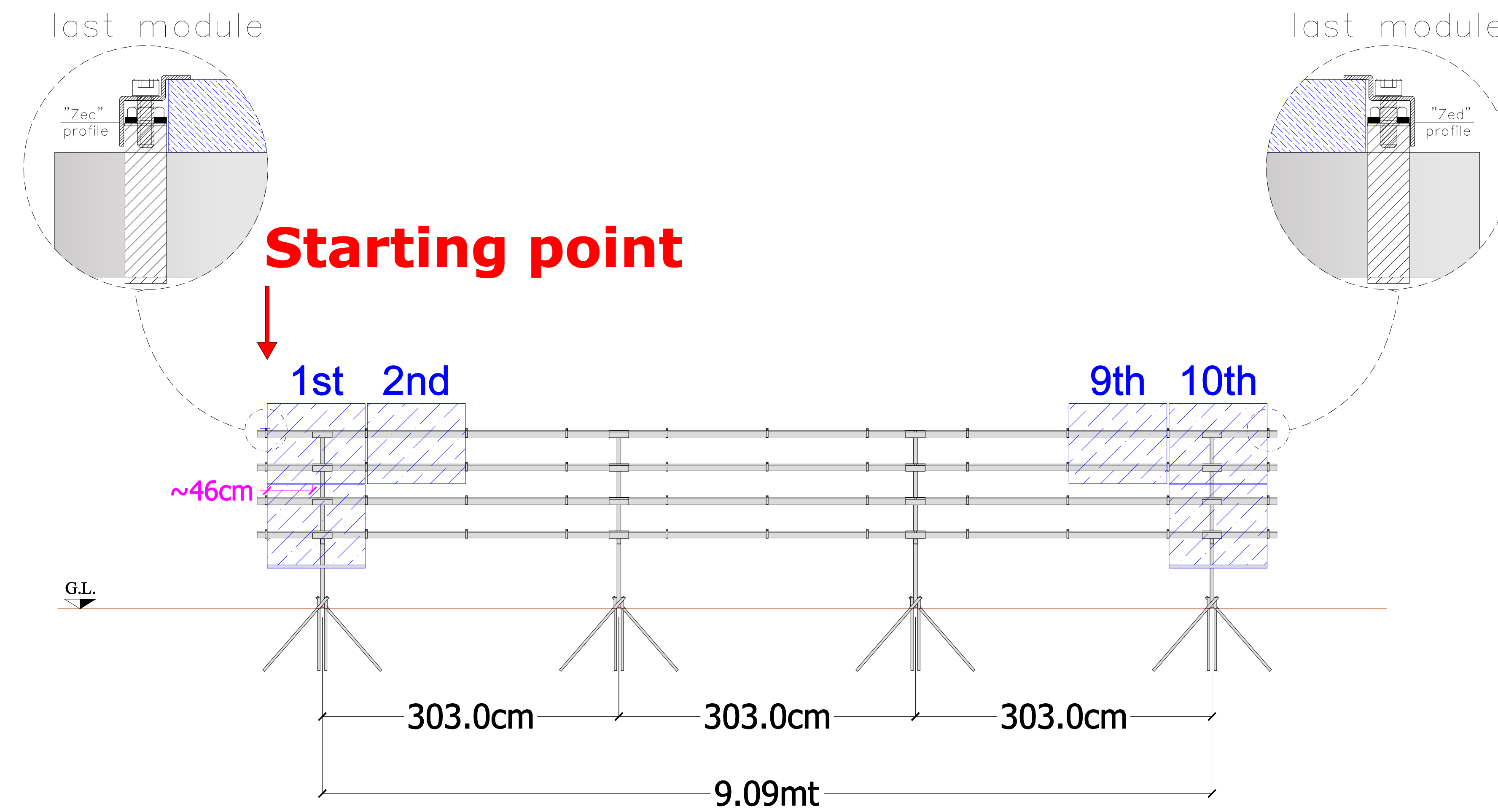


**PERMITTED TIGHTENING TORQUE OF MAX 10 Nm (to be verified with the prescriptions of the module manufacturer).**

	NAME	DATE	Solar Place Opole Voivodeship_400kWp project		
DRAWN	RR	04/03/2020	TITLE Fastening for photovoltaic modules.		
CHECKED					
 <b>TreeSystem s.r.l.</b> Via Moraro n°22, 35020, Pozzonovo (PD) Tel/fax +390429773082			SIZE	DWG N°: <b>26</b>	REV
			SCALE:	WEIGHT:	SHEET

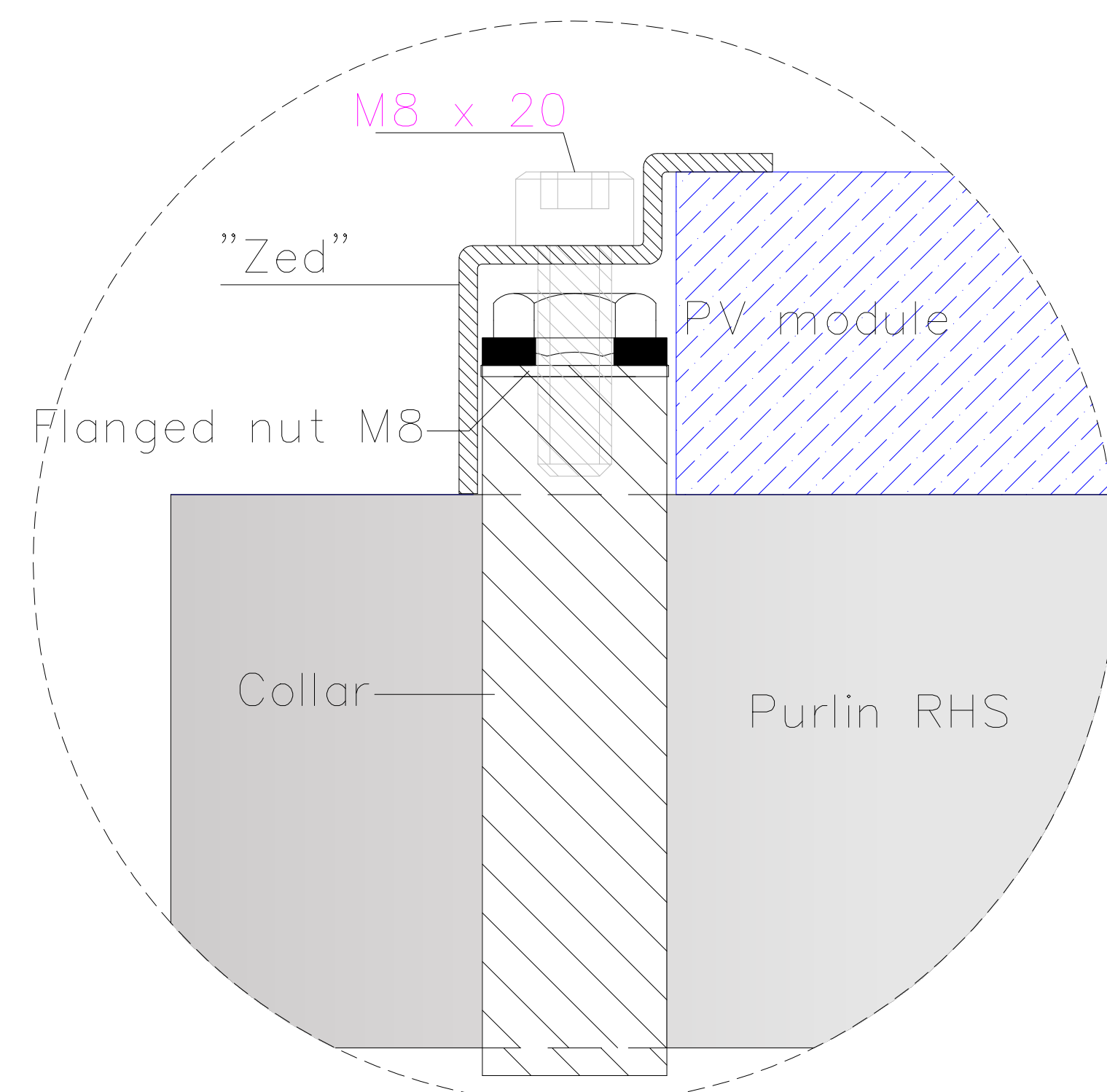


**Starting point:** for a correct installation of PV modules, you should start from the red point, keeping the first PV module of the row at about 46cm from the left edge of the "U" profile welded on the first framework and going ahead to the right, as illustrated.



Typology of rack: **10+10**  
 Number of racks: **10**

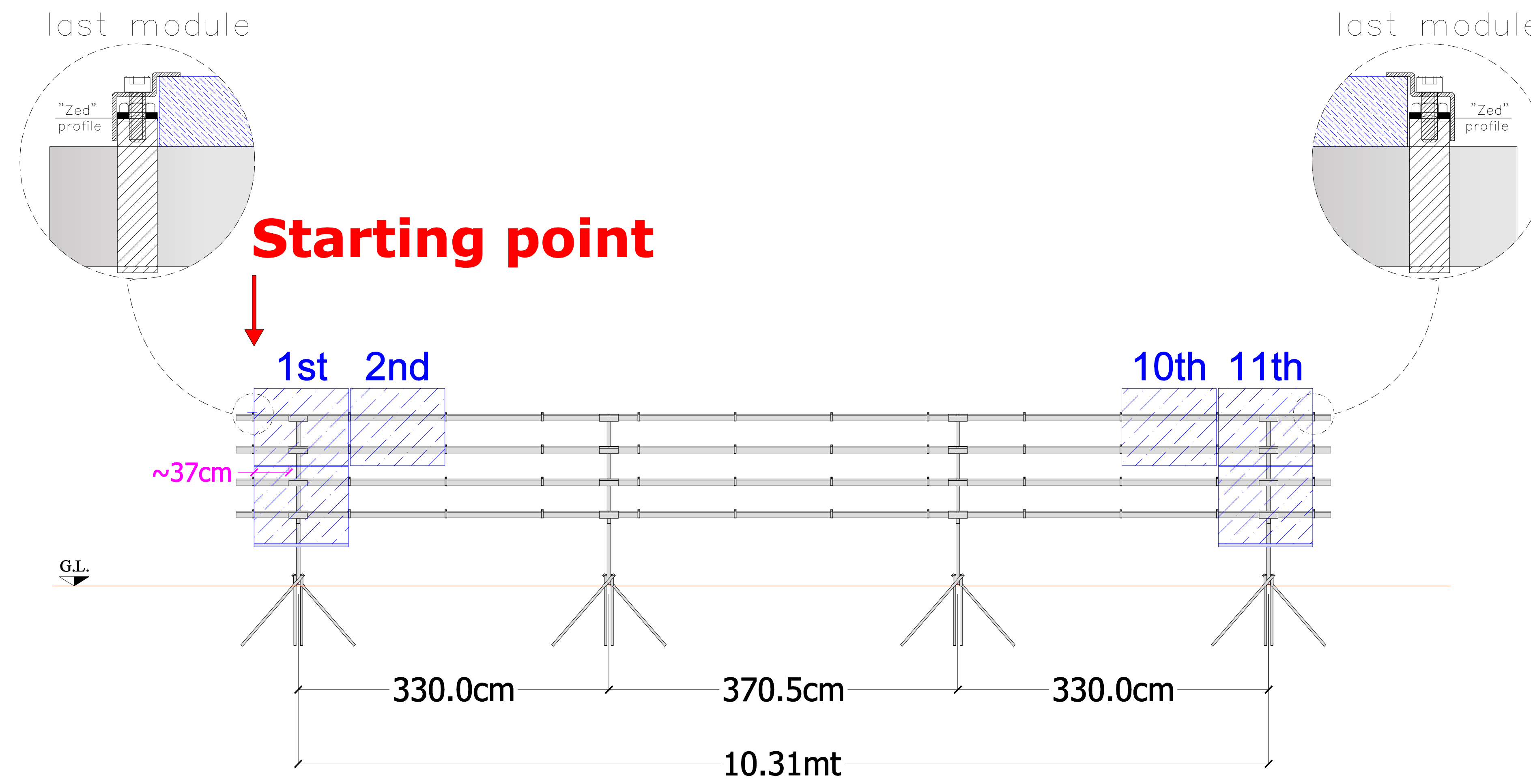
**DETAIL "E"**



**PERMITTED TIGHTENING TORQUE OF MAX 10 Nm (to be verified with the prescriptions of the module manufacturer).**

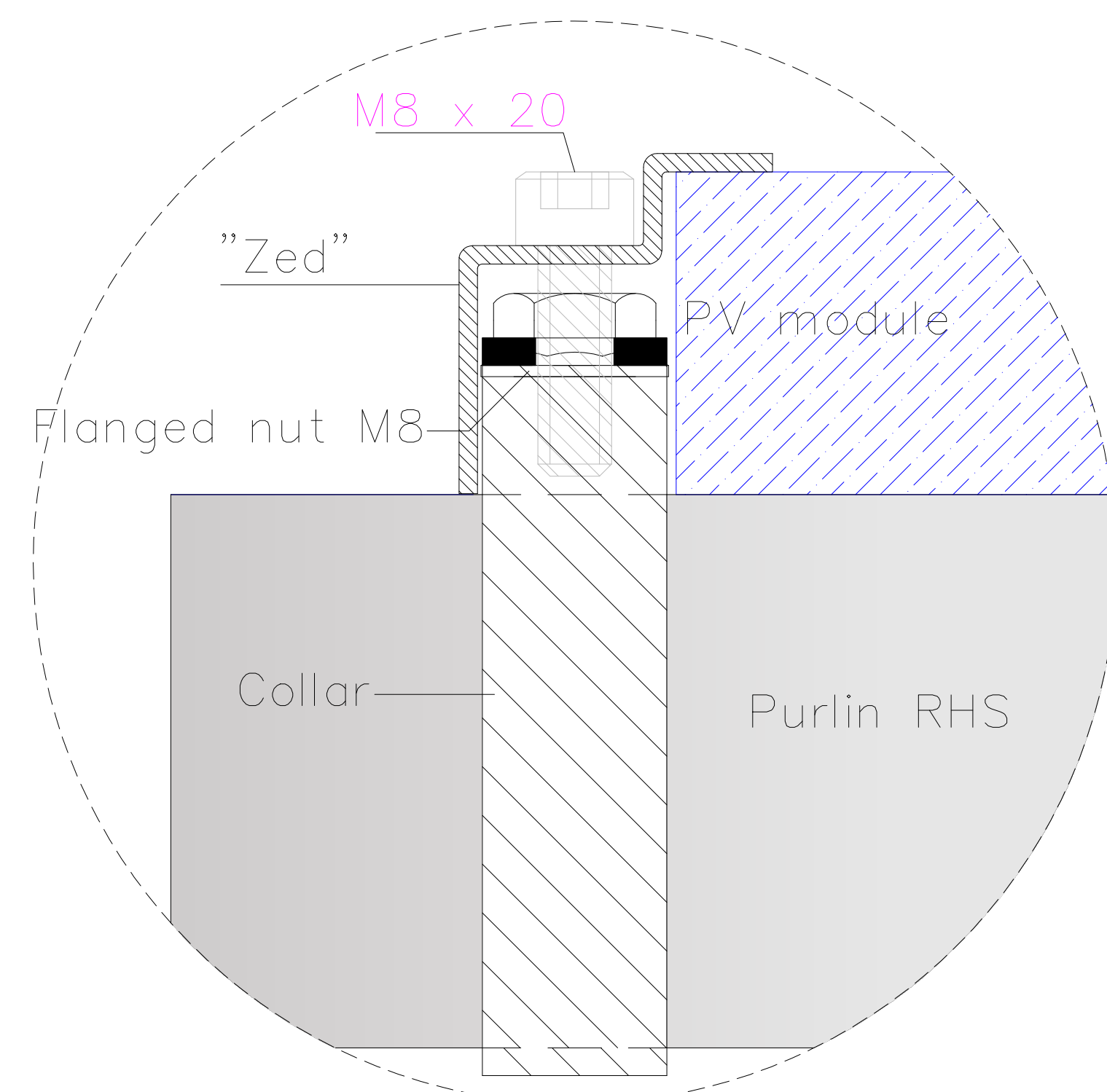
	NAME	DATE	Solar Place Opole Voivodeship_400kWp project		
DRAWN	RR	04/03/2020	TITLE Fastening for photovoltaic modules.		
CHECKED					
 <b>TreeSystem s.r.l.</b> Via Moraro n°22, 35020, Pozzonovo (PD) Tel/fax +390429773082			SIZE	DWG N°: <b>27</b>	REV
			SCALE:	WEIGHT:	SHEET

**Starting point:** for a correct installation of PV modules, you should start from the red point, keeping the first PV module of the row at about 37cm from the left edge of the "U" profile welded on the first framework and going ahead to the right, as illustrated.




Tipology of rack: **11+11**  
 Number of racks: **4**

**DETAIL "E"**

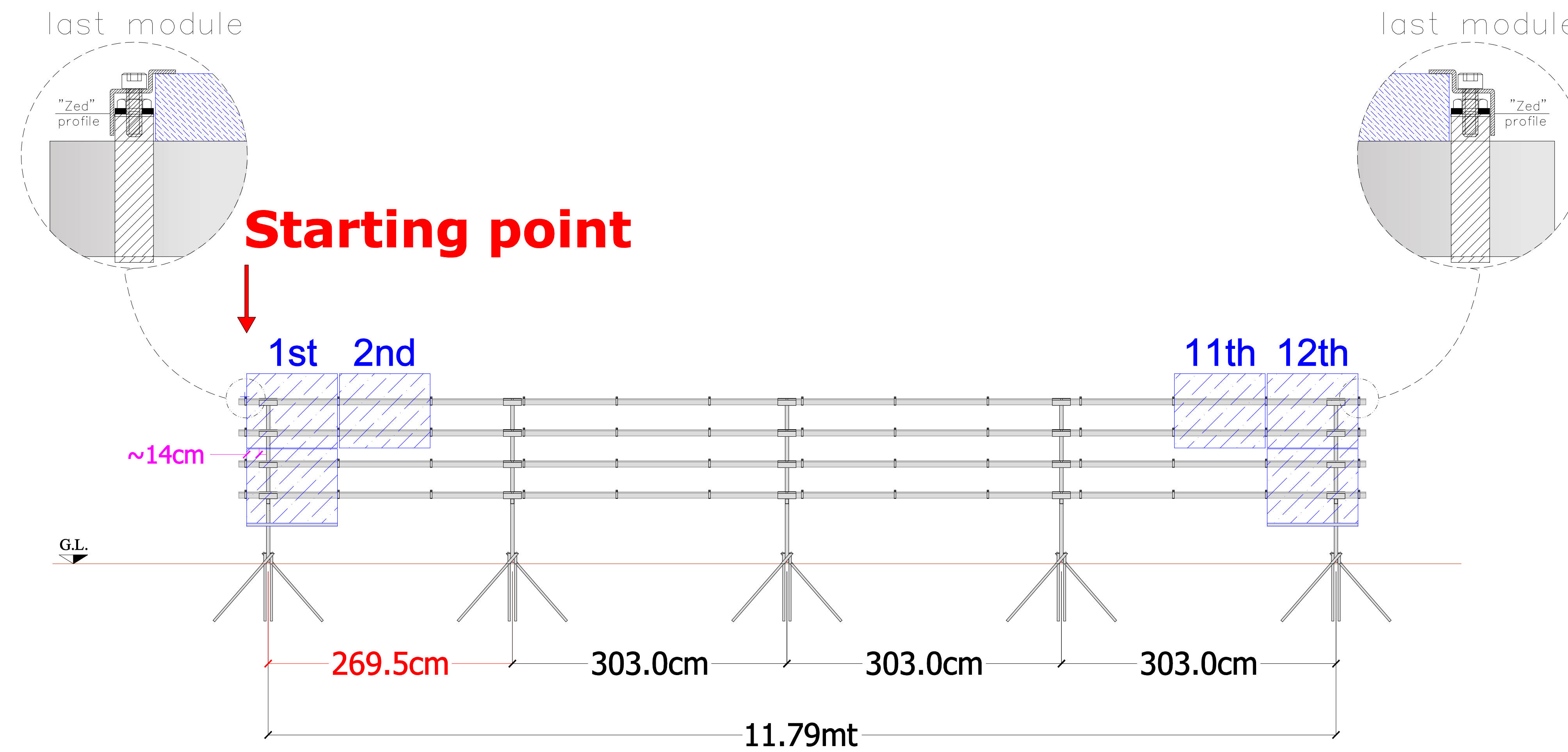


**PERMITTED TIGHTENING TORQUE OF MAX 10 Nm (to be verified with the prescriptions of the module manufacturer).**

	NAME	DATE	Solar Place Opole Voivodeship_400kWp project		
DRAWN	RR	04/03/2020	TITLE Fastening for photovoltaic modules.		
CHECKED					
 <b>TreeSystem s.r.l.</b> Via Moraro n°22, 35020, Pozzonovo (PD) Tel/fax +390429773082			SIZE	DWG N°: <b>28</b>	REV
			SCALE:	WEIGHT:	SHEET

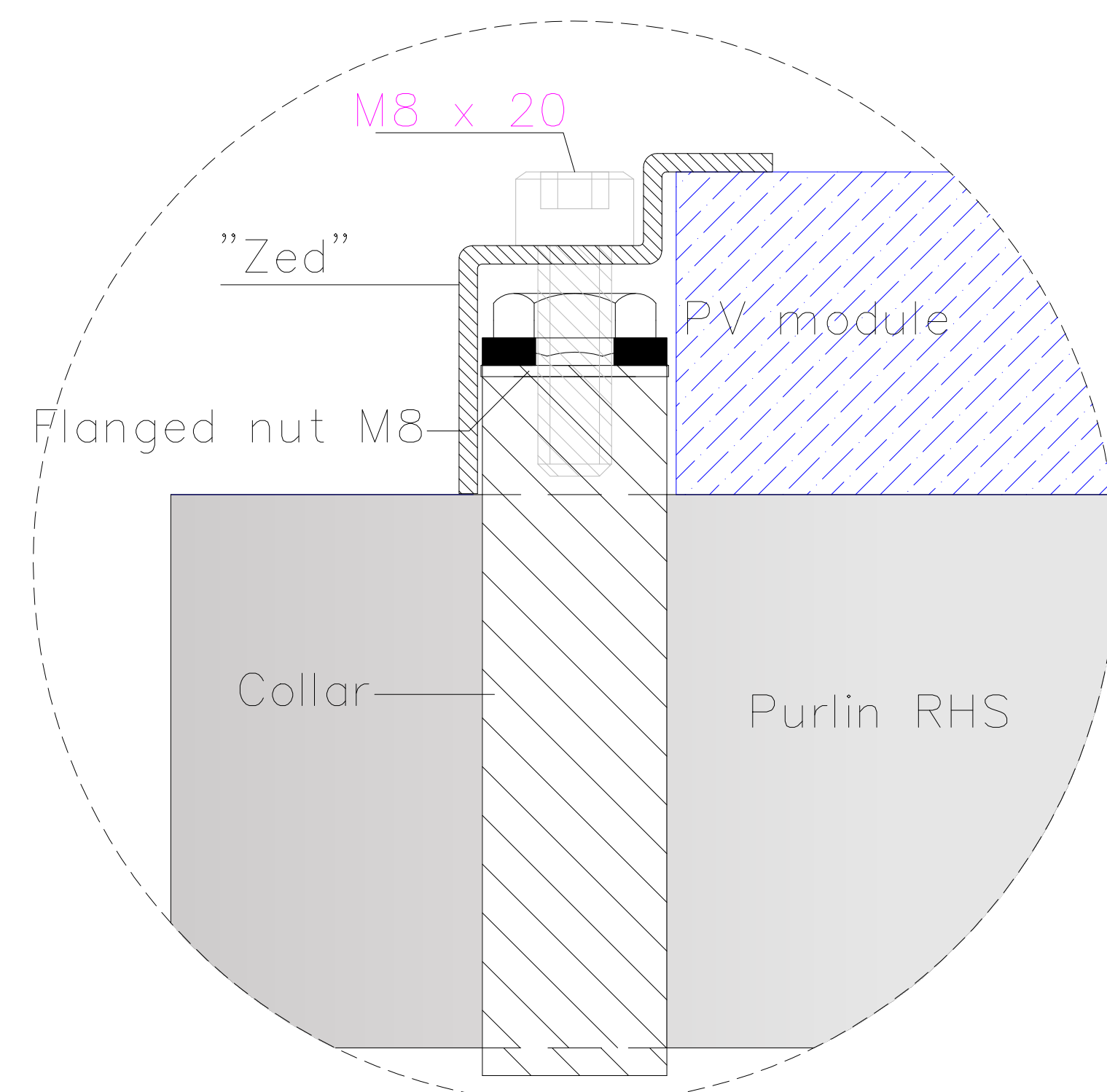


**Starting point:** for a correct installation of PV modules, you should start from the red point, keeping the first PV module of the row at about 14cm from the left edge of the "U" profile welded on the first framework and going ahead to the right, as illustrated.




Tipology of rack: **12+12**  
 Number of racks: **4**

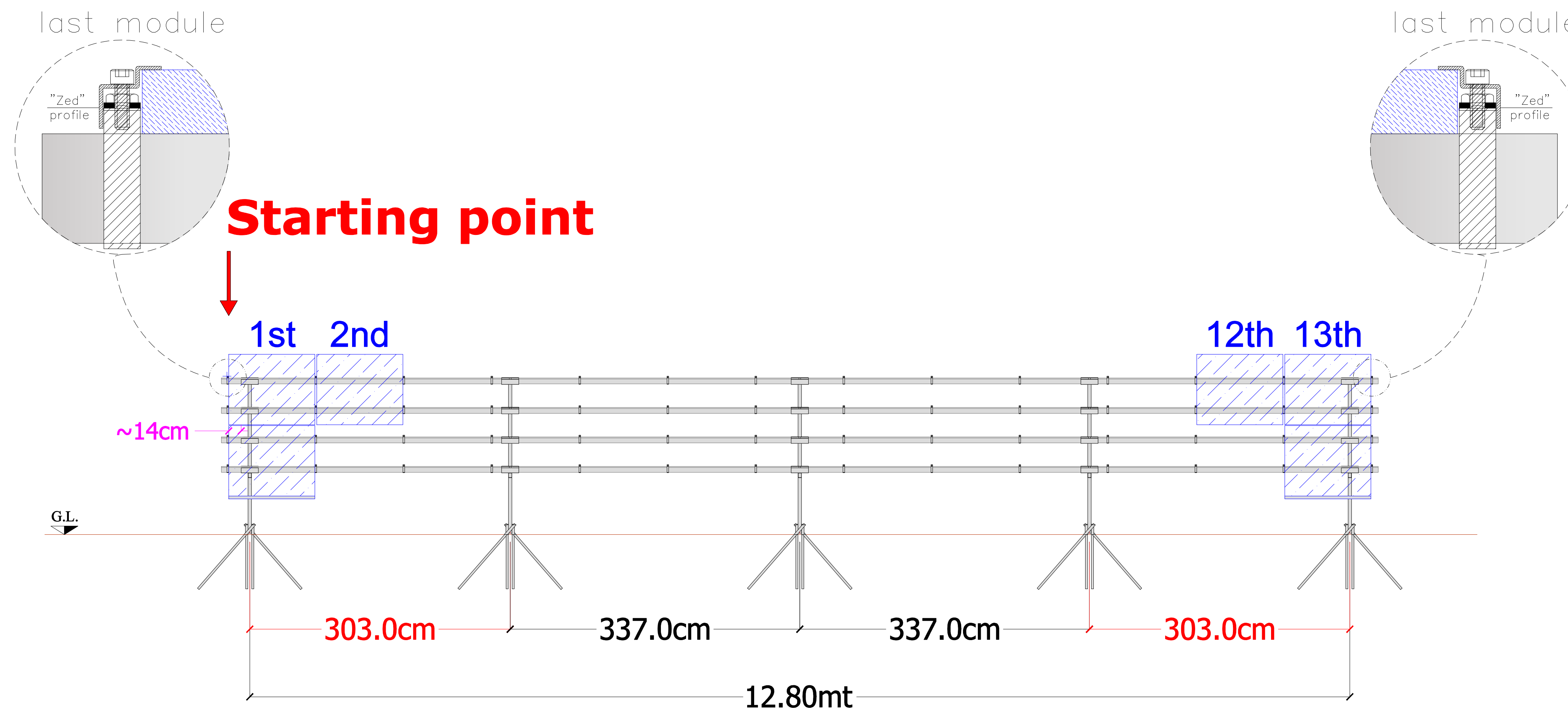
**DETAIL "E"**



**PERMITTED TIGHTENING TORQUE OF MAX 10 Nm (to be verified with the prescriptions of the module manufacturer).**

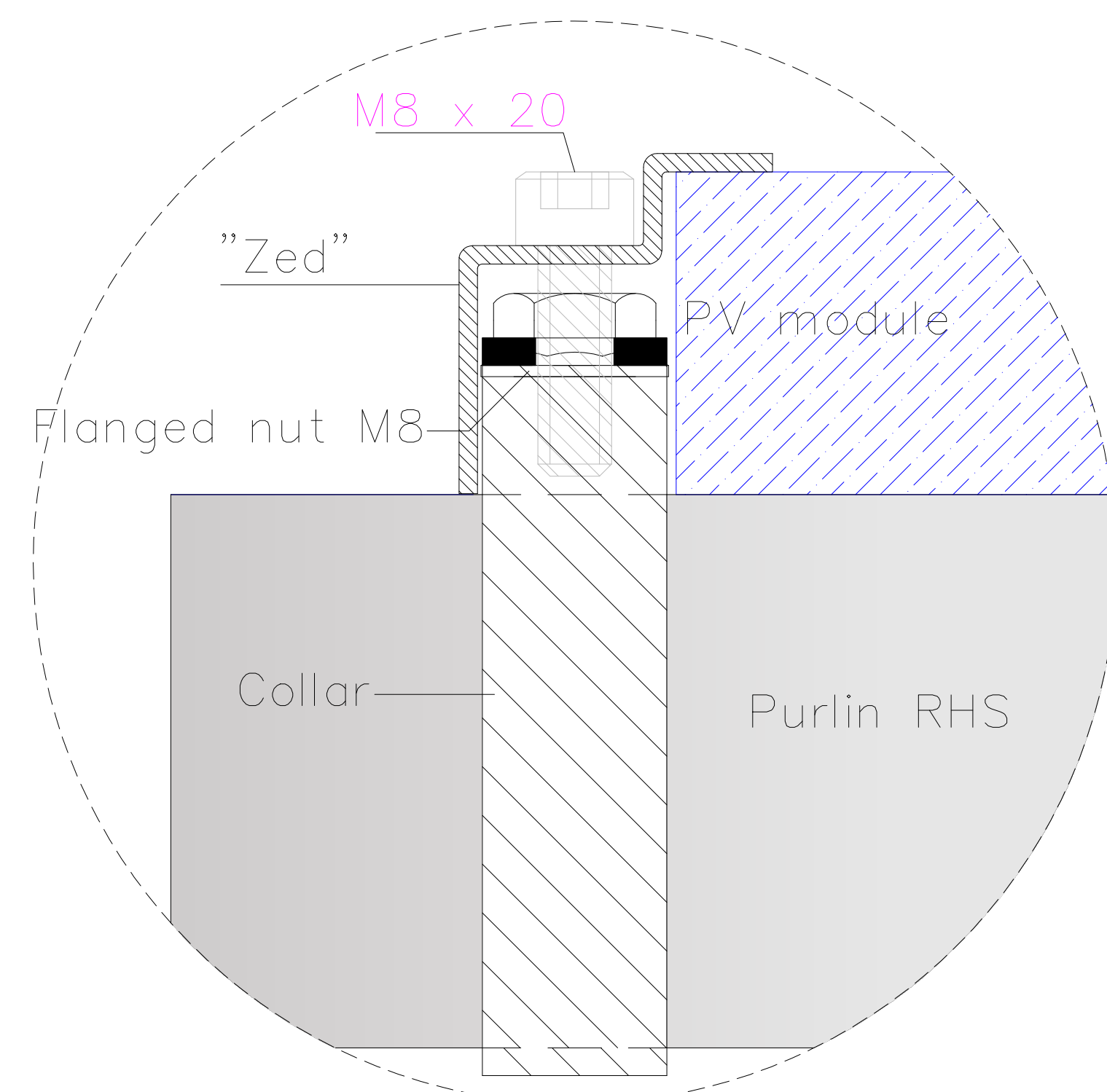
	NAME	DATE	Solar Place Opole Voivodeship_400kWp project		
DRAWN	RR	04/03/2020	TITLE Fastening for photovoltaic modules.		
CHECKED					
 <b>TreeSystem s.r.l.</b> Via Moraro n°22, 35020, Pozzonovo (PD) Tel/fax +390429773082			SIZE	DWG N°: <b>29</b>	REV
			SCALE:	WEIGHT:	SHEET

**Starting point:** for a correct installation of PV modules, you should start from the red point, keeping the first PV module of the row at about 14cm from the left edge of the "U" profile welded on the first framework and going ahead to the right, as illustrated.




Tipology of rack: **13+13**  
 Number of racks: **4**

**DETAIL "E"**

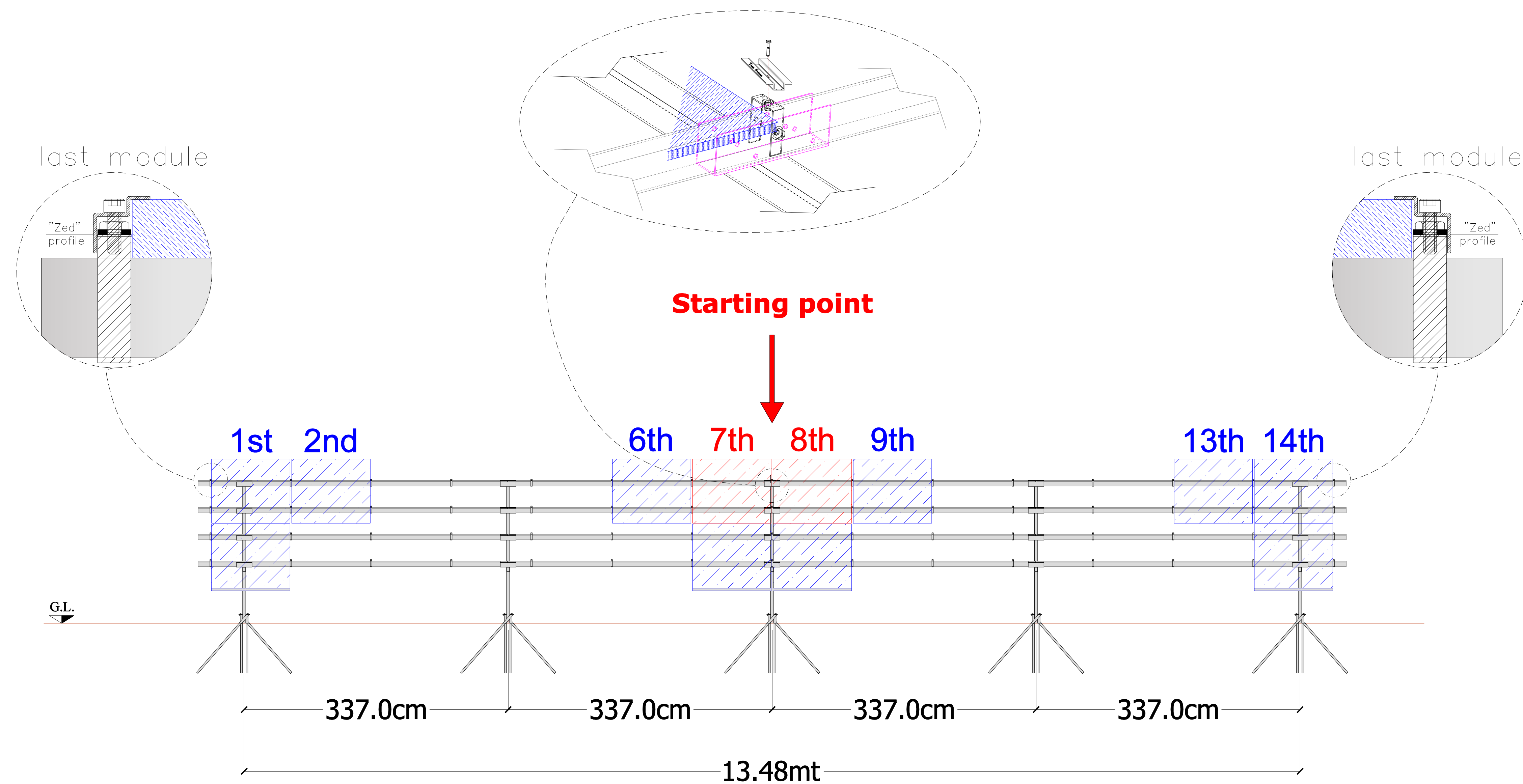


**PERMITTED TIGHTENING TORQUE OF MAX 10 Nm (to be verified with the prescriptions of the module manufacturer).**

	NAME	DATE	Solar Place Opole Voivodeship_400kWp project		
DRAWN	RR	04/03/2020	TITLE Fastening for photovoltaic modules.		
CHECKED					
 <b>TreeSystem s.r.l.</b> Via Moraro n°22, 35020, Pozzonovo (PD) Tel/fax +390429773082			SIZE	DWG N°: <b>30</b>	REV
			SCALE:	WEIGHT:	SHEET

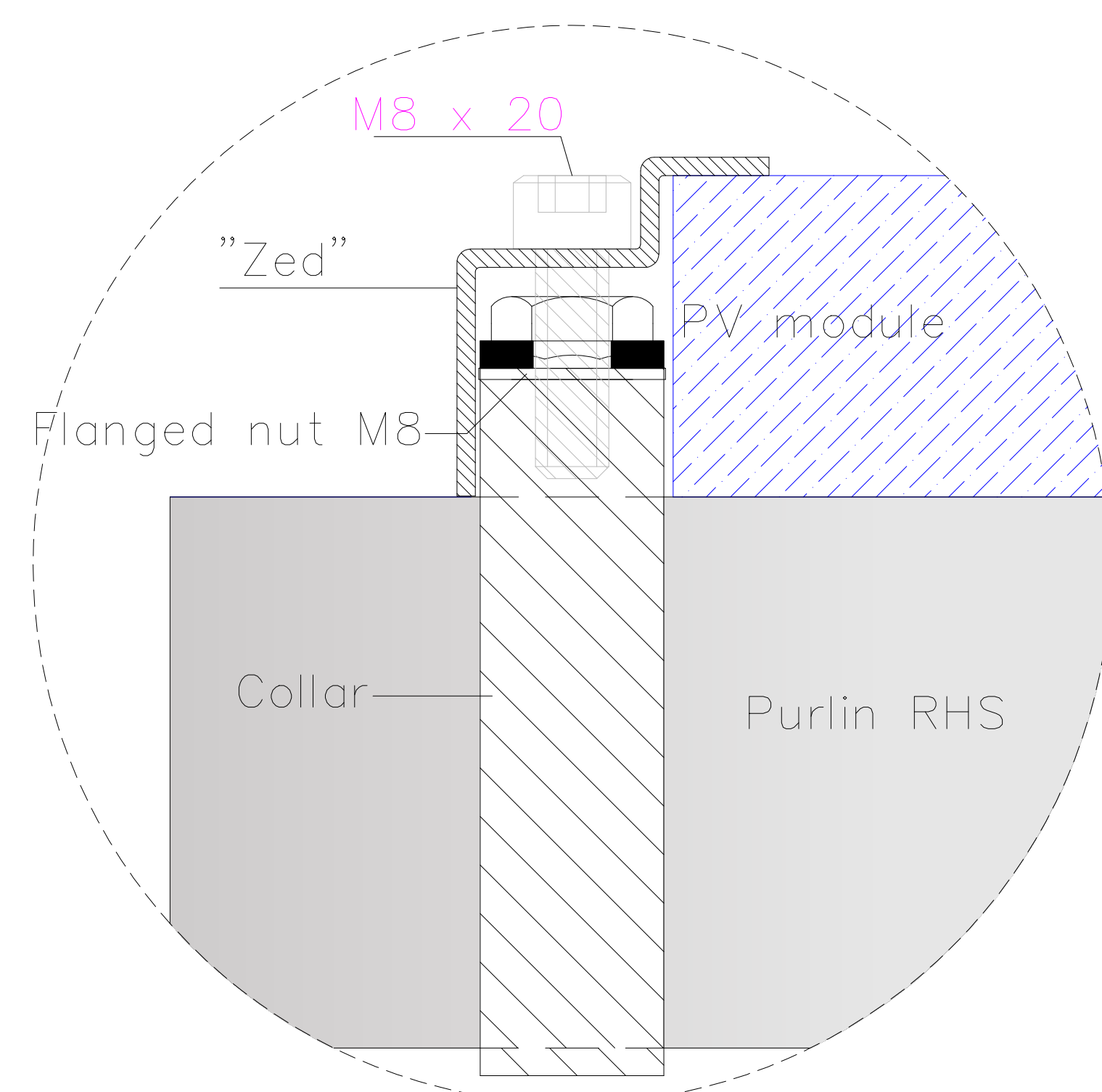


**Starting point:** for a correct installation of PV modules, you should start from the open collar fixed on the "U" profile welded on the frame positioned at the middle of the rack and proceeding before in one direction and then in the other one, as illustrated.



**Tipology of rack: 14+14**  
**Number of racks: 4**

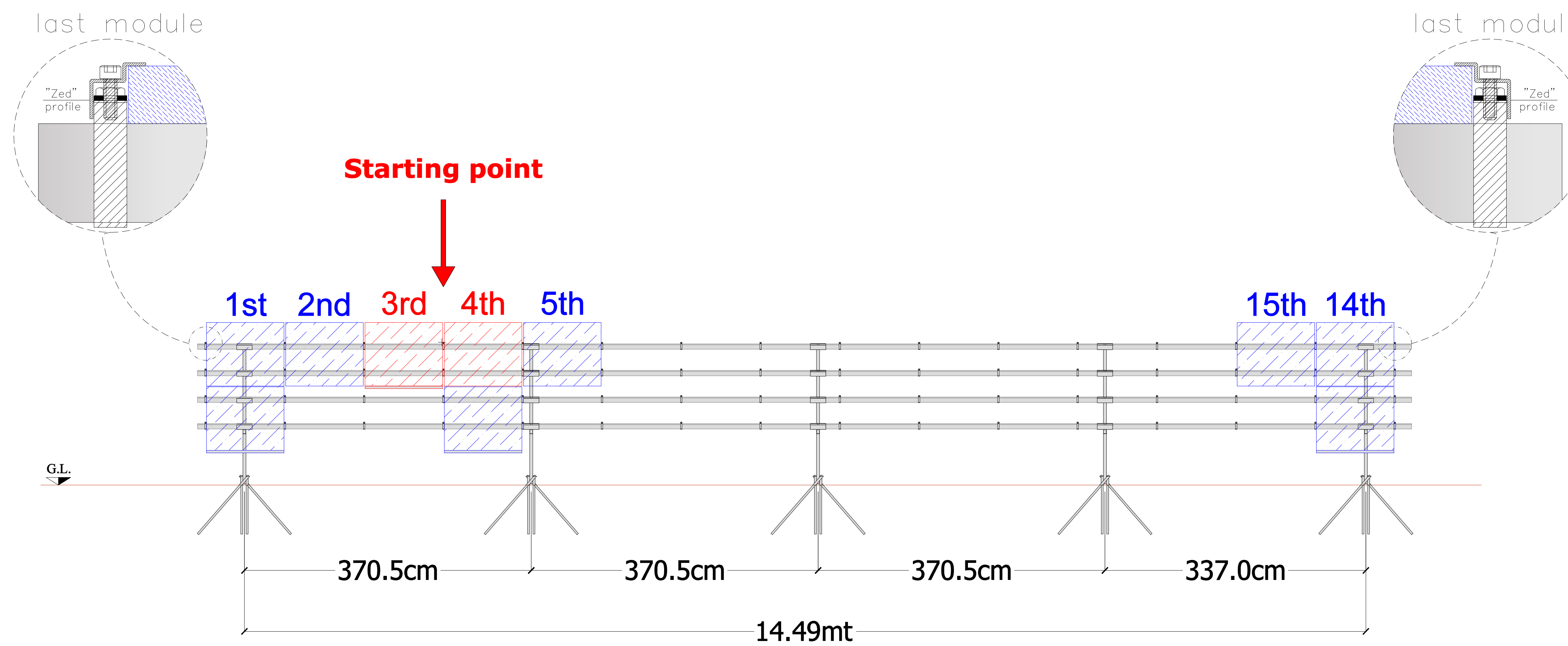
**DETAIL "E"**



**PERMITTED TIGHTENING TORQUE OF MAX 10 Nm (to be verified with the prescriptions of the module manufacturer).**

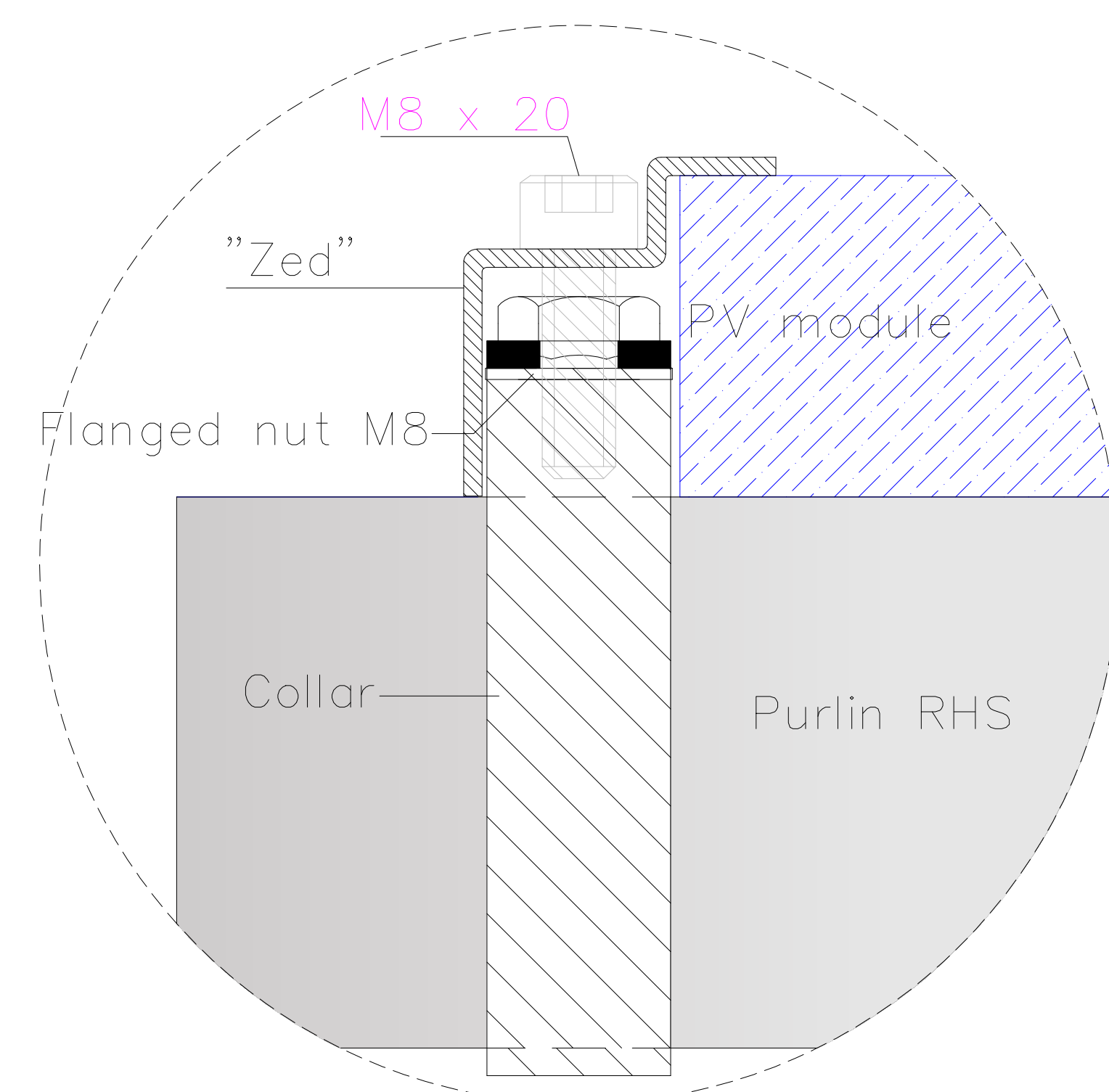
	NAME	DATE	Solar Place Opole Voivodeship_400kWp project		
DRAWN	RR	04/03/2020	TITLE Fastening for photovoltaic modules.		
CHECKED					
 <b>TreeSystem s.r.l.</b> Via Moraro n°22, 35020, Pozzonovo (PD) Tel/fax +390429773082			SIZE	DWG N°: <b>31</b>	REV
			SCALE:	WEIGHT:	SHEET

**Starting point:** for a correct installation of PV modules, you should start from the red point, leaning the collars against the left edge of the "U" profile welded on the second framework and going ahead before in one direction and then in the other one, as illustrated.




Tipology of rack: **15+15**  
 Number of racks: **15**

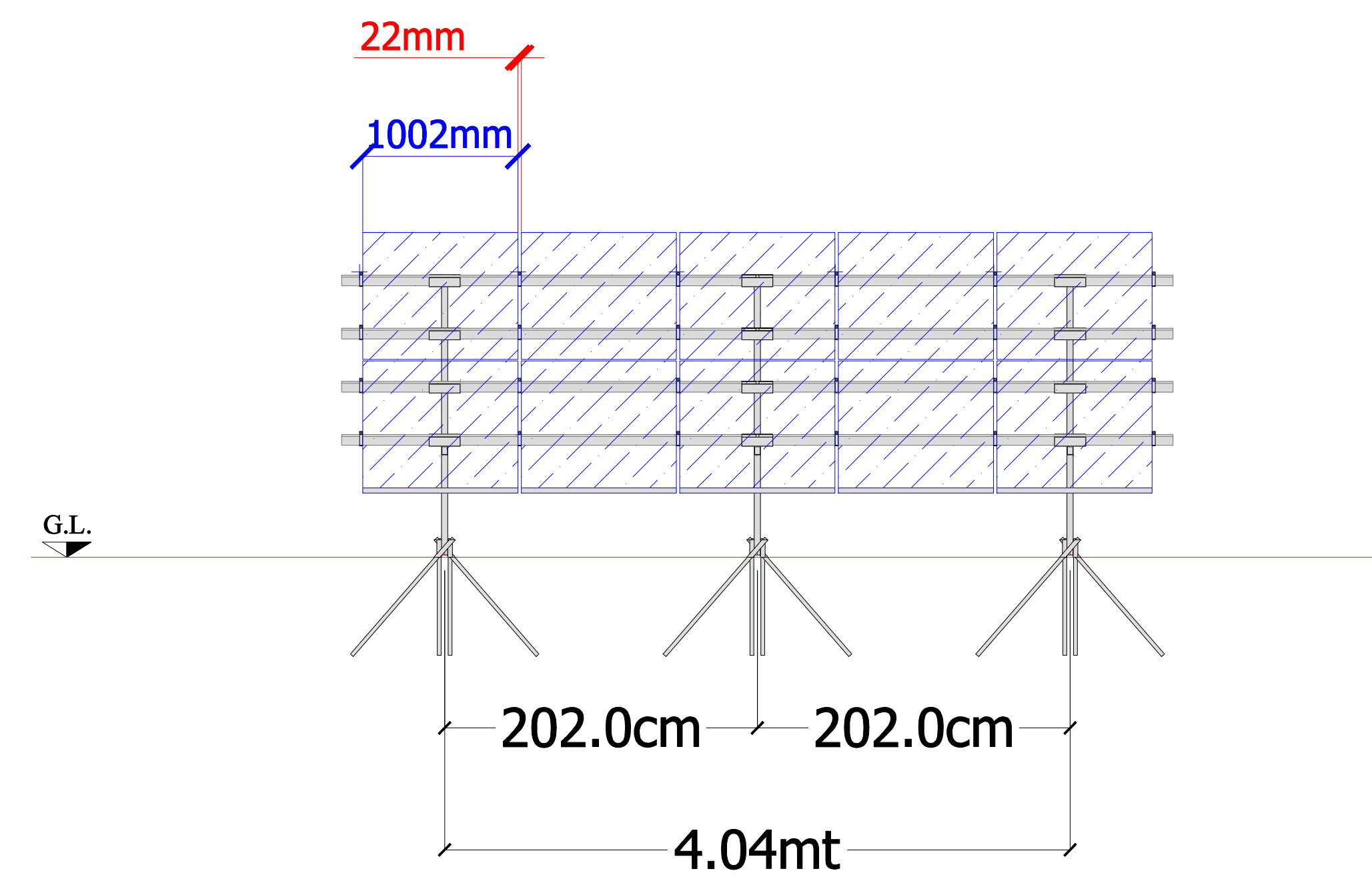
### DETAIL "E"




**PERMITTED TIGHTENING TORQUE OF MAX 10 Nm (to be verified with the prescriptions of the module manufacturer).**

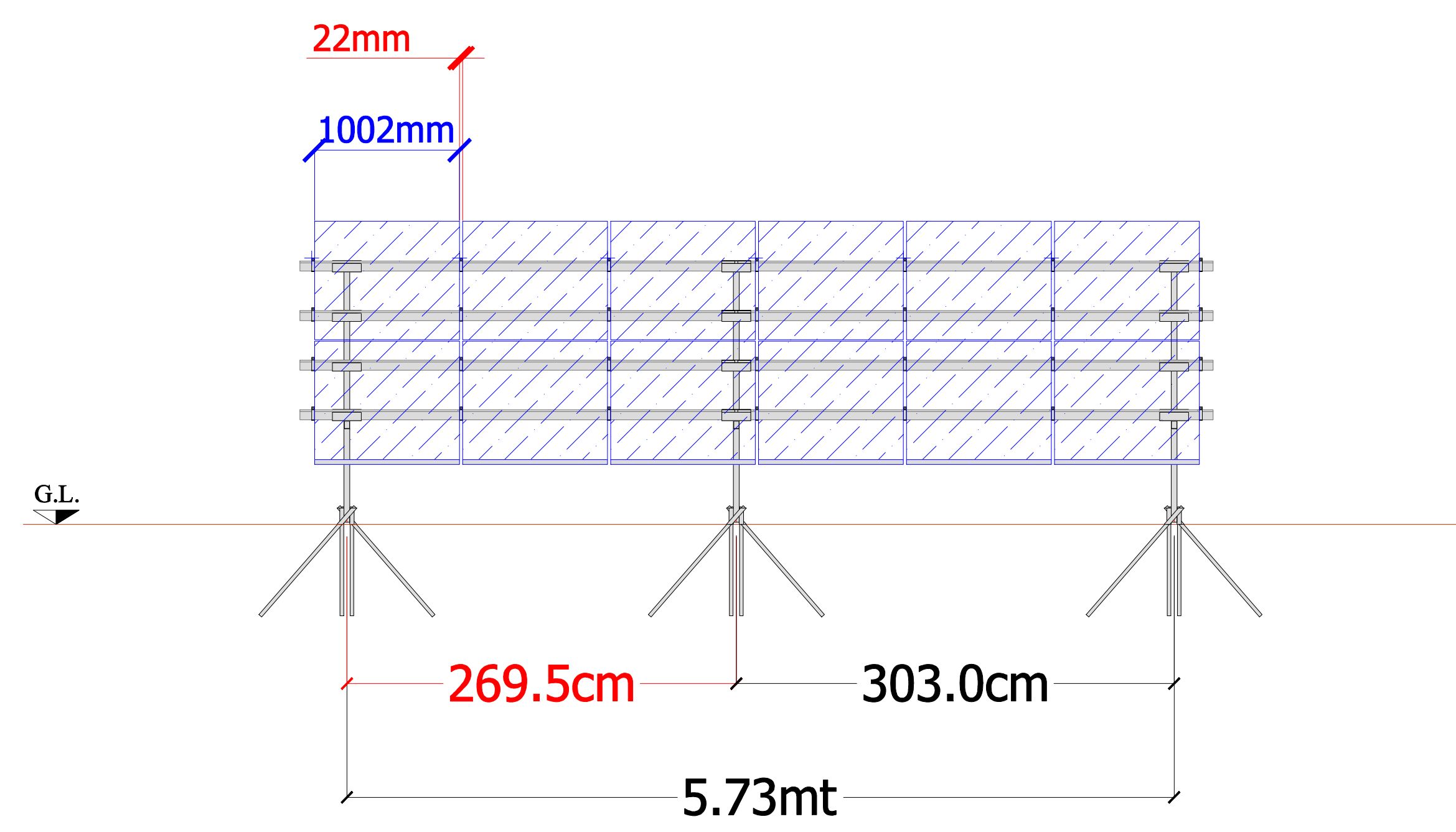
	NAME	DATE	Solar Place Opole Voivodeship_400kWp project		
DRAWN	RR	04/03/2020	TITLE Fastening for photovoltaic modules.		
CHECKED					
 <b>TreeSystem s.r.l.</b> Via Moraro n°22, 35020, Pozzonovo (PD) Tel/fax +390429773082			SIZE	DWG N°: <b>32</b>	REV
			SCALE:	WEIGHT:	SHEET






Tipology of rack: **5+5**  
 Number of racks: **4**

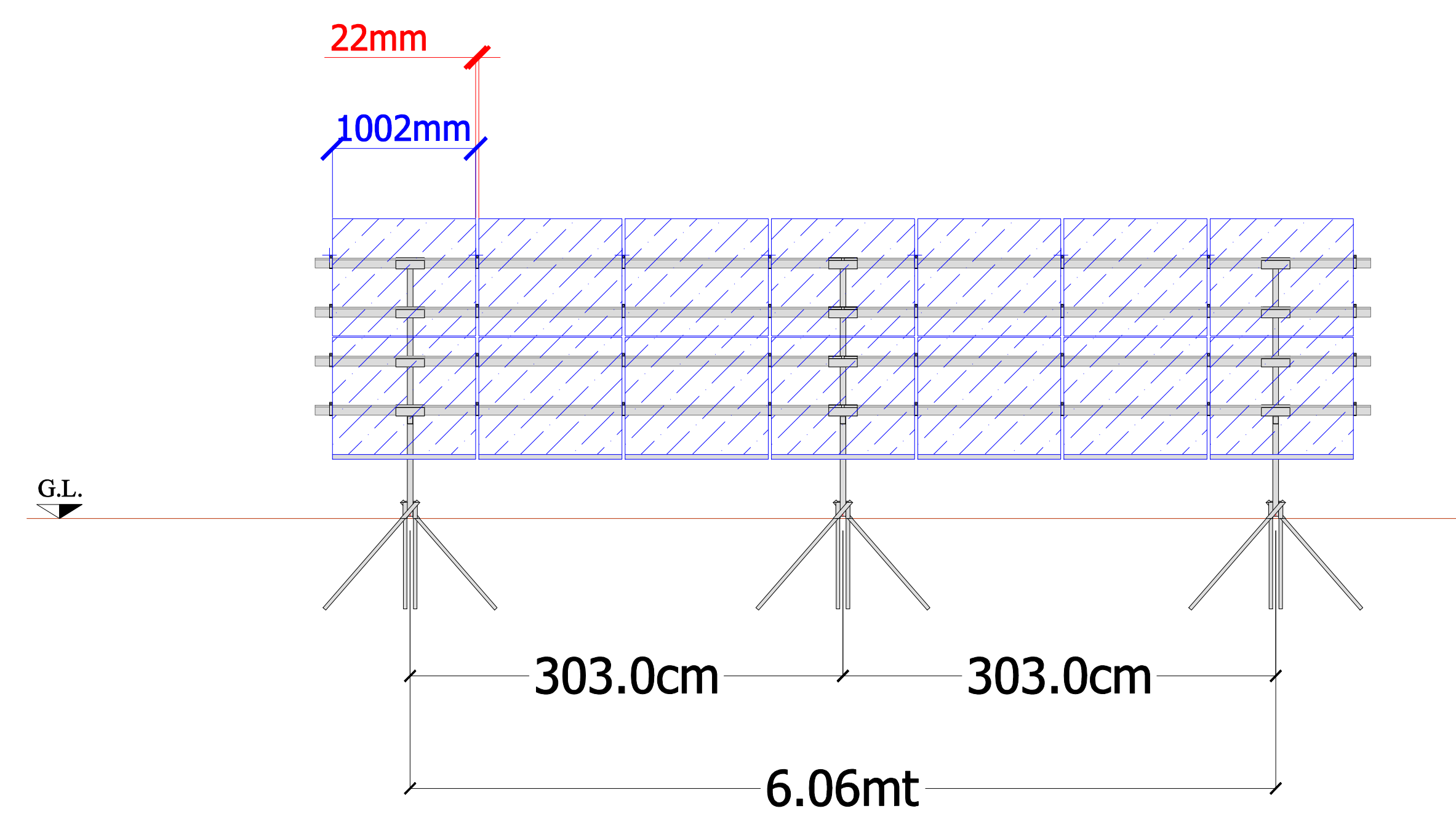
DRAWN	NAME	DATE	Solar Place Opole Voivodeship_400kWp project		
CHECKED	RR	04/03/2020	TITLE Final result.		
			SIZE	DWG N°: <b>33</b>	REV
 <b>TreeSystem s.r.l.</b> Via Moraro n°22, 35020, Pozzonovo (PD) Tel/fax +390429773082			SCALE:	WEIGHT:	SHEET




Tipology of rack: **6+6**  
 Number of racks: **4**

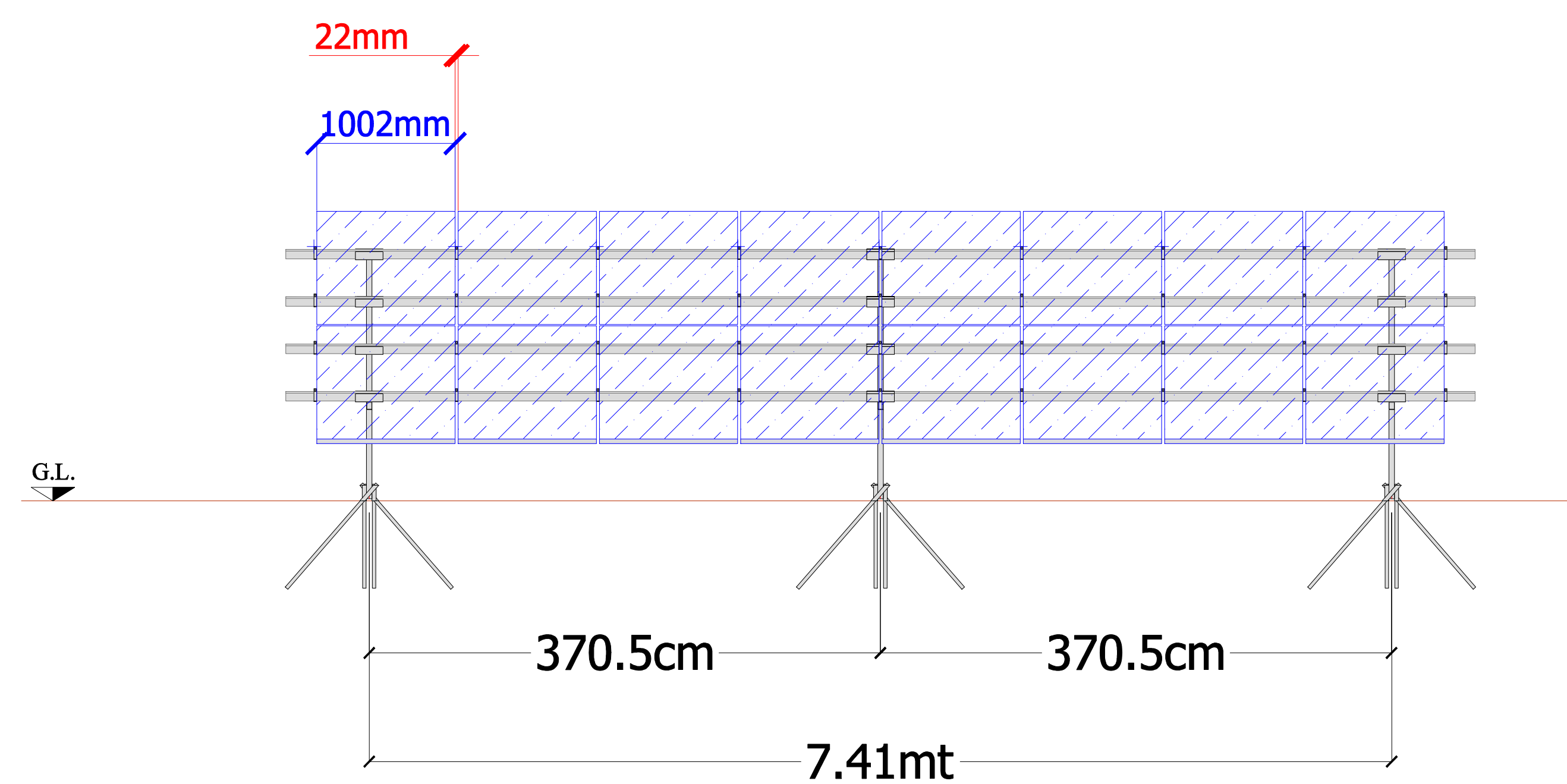
DRAWN	NAME	DATE	Solar Place Opole Voivodeship_400kWp project		
CHECKED	RR	04/03/2020	TITLE Final result.		
			SIZE	DWG N°: <b>34</b>	REV
 <b>TreeSystem s.r.l.</b> Via Moraro n°22, 35020, Pozzonovo (PD) Tel/fax +390429773082			SCALE:	WEIGHT:	SHEET





Tipology of rack: **7+7**  
 Number of racks: **4**

DRAWN	NAME	DATE	Solar Place Opole Voivodeship_400kWp project	
CHECKED	RR	04/03/2020	TITLE Final result.	
			SIZE	DWG N°: <b>35</b>
			SCALE:	WEIGHT: SHEET
 <b>TreeSystem s.r.l.</b> <small>Via Moraro n°22, 35020, Pozzonovo (PD) Tel/fax +390429773082</small>				REV



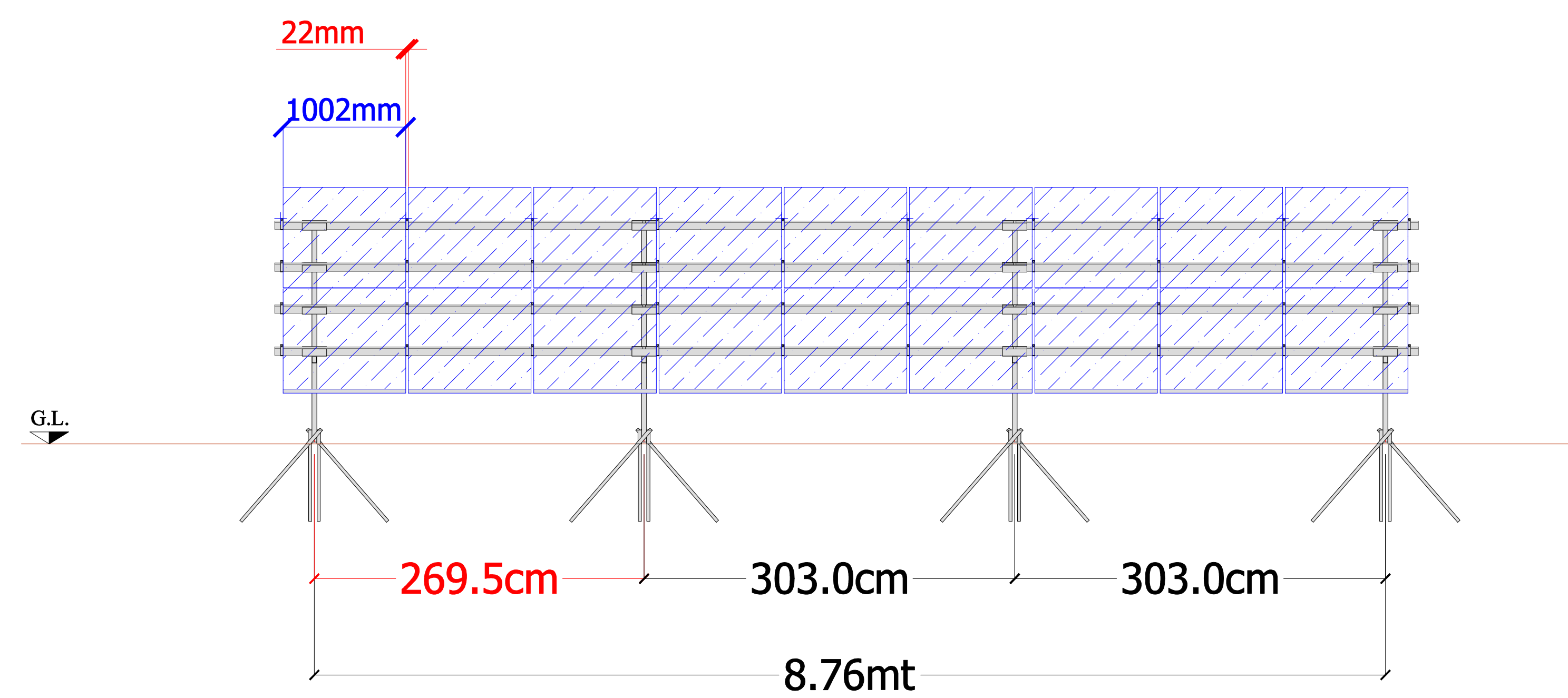
Tipology of rack: **8+8**  
 Number of racks: **4**

DRAWN	NAME	DATE	TITLE	
CHECKED	RR	04/03/2020	Solar Place Opole Voivodeship_400kWp project	
			Final result.	
			SIZE	REV
			DWG N°: <b>36</b>	
			SCALE:	WEIGHT: SHEET




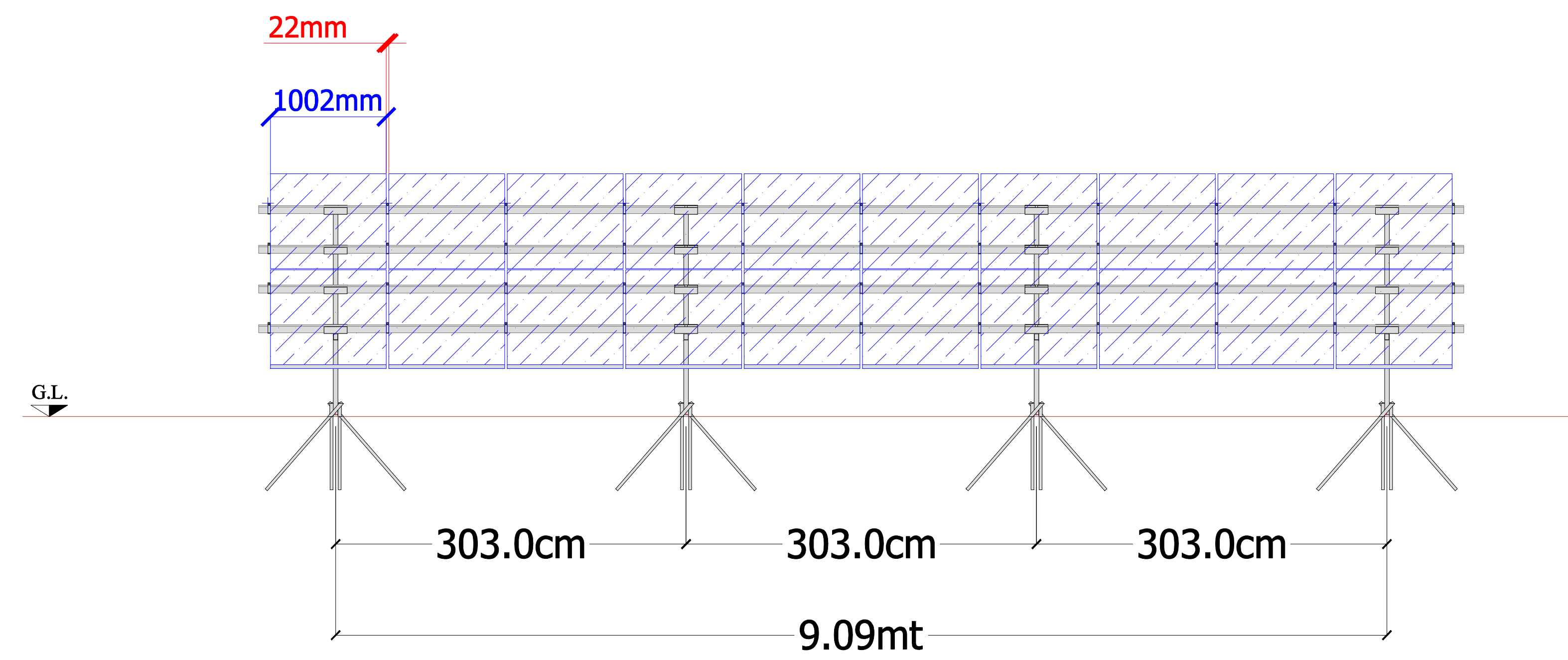
**TreeSystem s.r.l.**  
 Via Moraro n°22, 35020, Pozzonovo (PD)  
 Tel/fax +390429773082





Tipology of rack: **9+9**  
 Number of racks: **4**

DRAWN	NAME	DATE	Solar Place Opole Voivodeship_400kWp project		
CHECKED	RR	04/03/2020	TITLE Final result.		
			SIZE	DWG N°: <b>37</b>	REV
 <b>TreeSystem s.r.l.</b> Via Moraro n°22, 35020, Pozzonovo (PD) Tel/fax +390429773082			SCALE:	WEIGHT:	SHEET



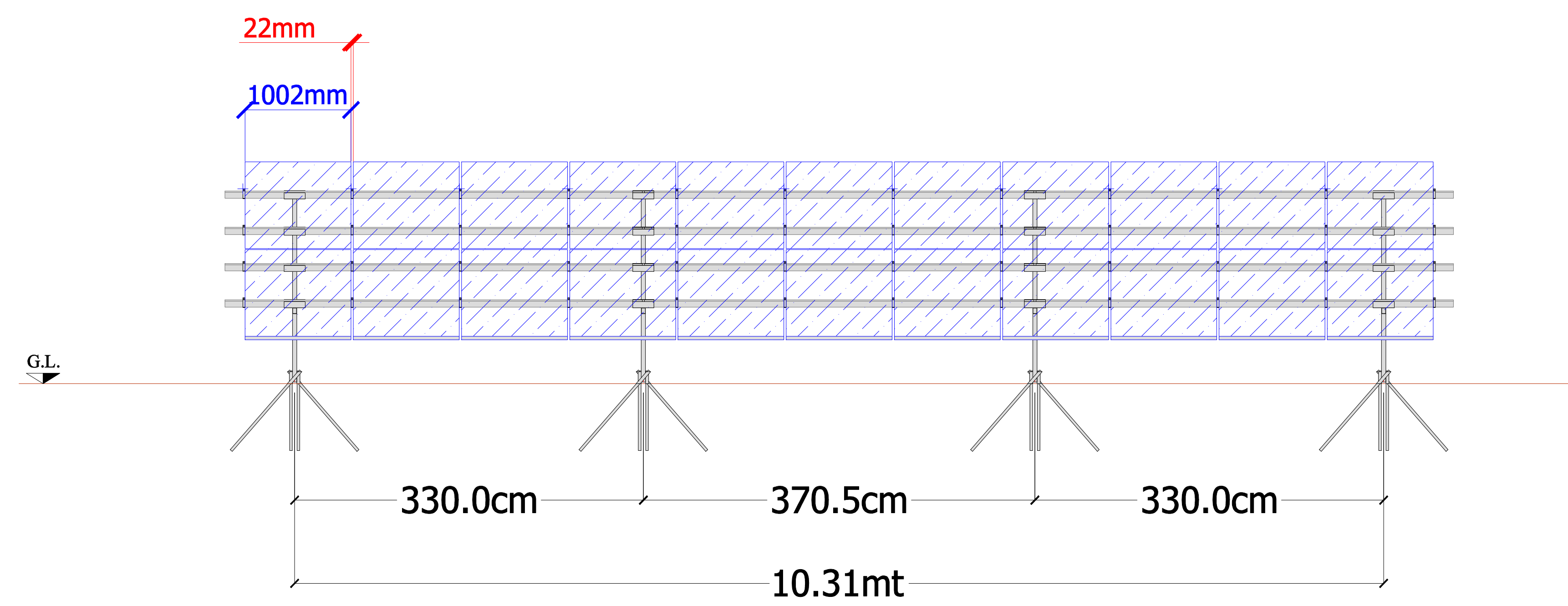
Tipology of rack: **10+10**  
 Number of racks: **10**

		NAME	DATE		
DRAWN		RR	04/03/2020	Solar Place Opole Voivodeship_400kWp project	
CHECKED					
				TITLE Final result.	
			SIZE	DWG N°: <b>38</b>	REV
		SCALE:	WEIGHT:	SHEET	




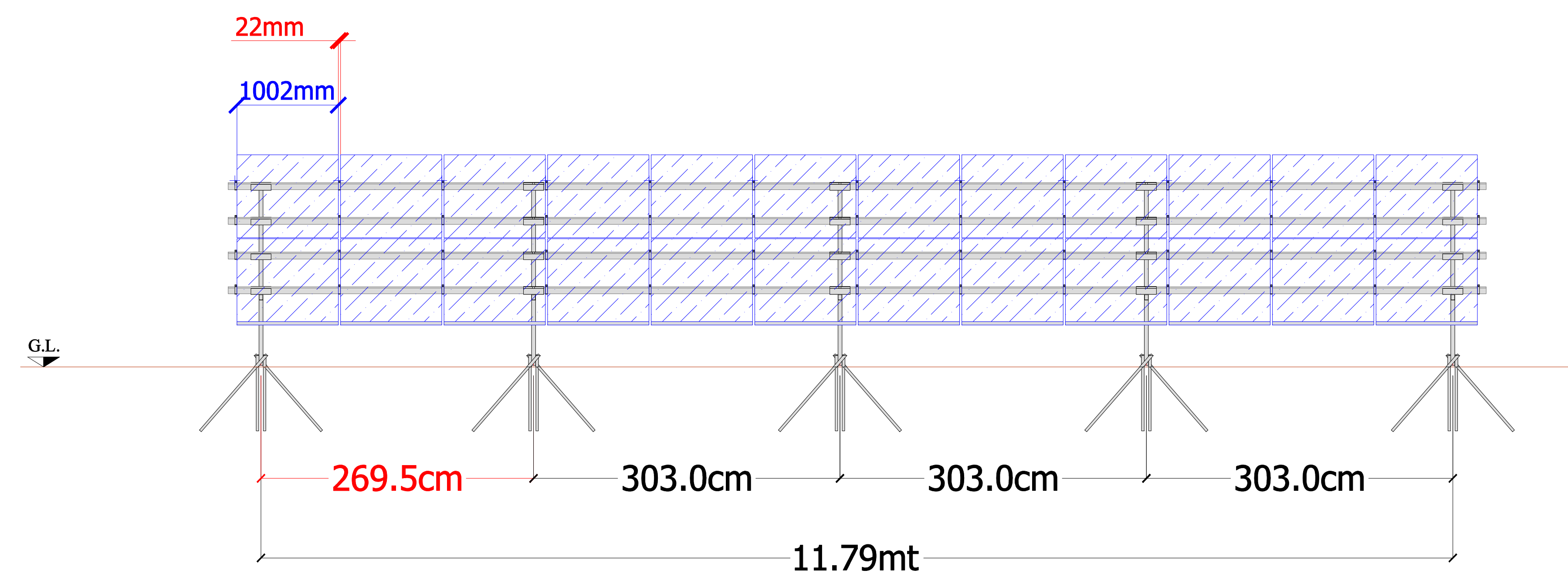
**TreeSystem s.r.l.**  
 Via Moraro n°22, 35020, Pozzonovo (PD)  
 Tel/fax +390429773082





Tipology of rack: **11+11**  
 Number of racks: **4**

DRAWN	NAME	DATE	Solar Place Opole Voivodeship_400kWp project	
CHECKED	RR	04/03/2020	TITLE Final result.	
			SIZE	DWG N°: <b>39</b>
			SCALE:	WEIGHT: SHEET
 <b>TreeSystem s.r.l.</b> <small>Via Moraro n°22, 35020, Pozzonovo (PD) Tel/fax +390429773082</small>			REV	



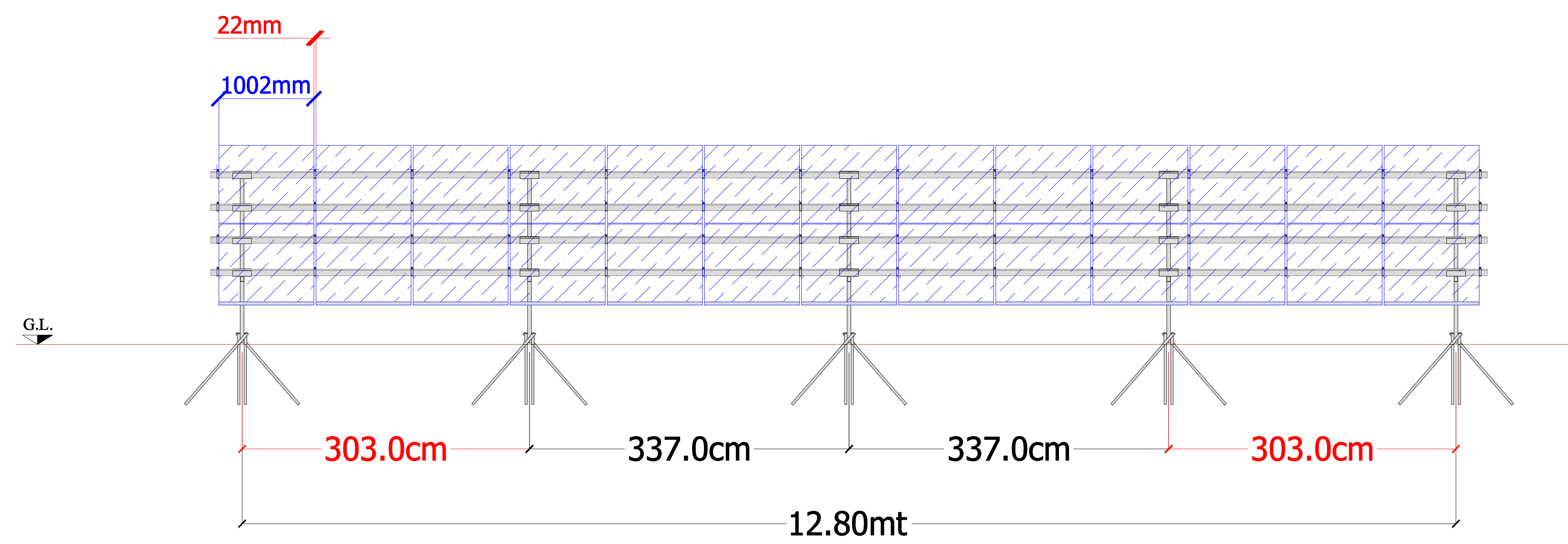
Tipology of rack: **12+12**  
 Number of racks: **4**

DRAWN	NAME	DATE	Solar Place Opole Voivodeship_400kWp project	
CHECKED	RR	04/03/2020	TITLE Final result.	
			SIZE	DWG N°: <b>40</b>
			SCALE:	WEIGHT:
			SHEET	



**TreeSystem s.r.l.**  
 Via Moraro n°22, 35020, Pozzonovo (PD)  
 Tel/fax +390429773082



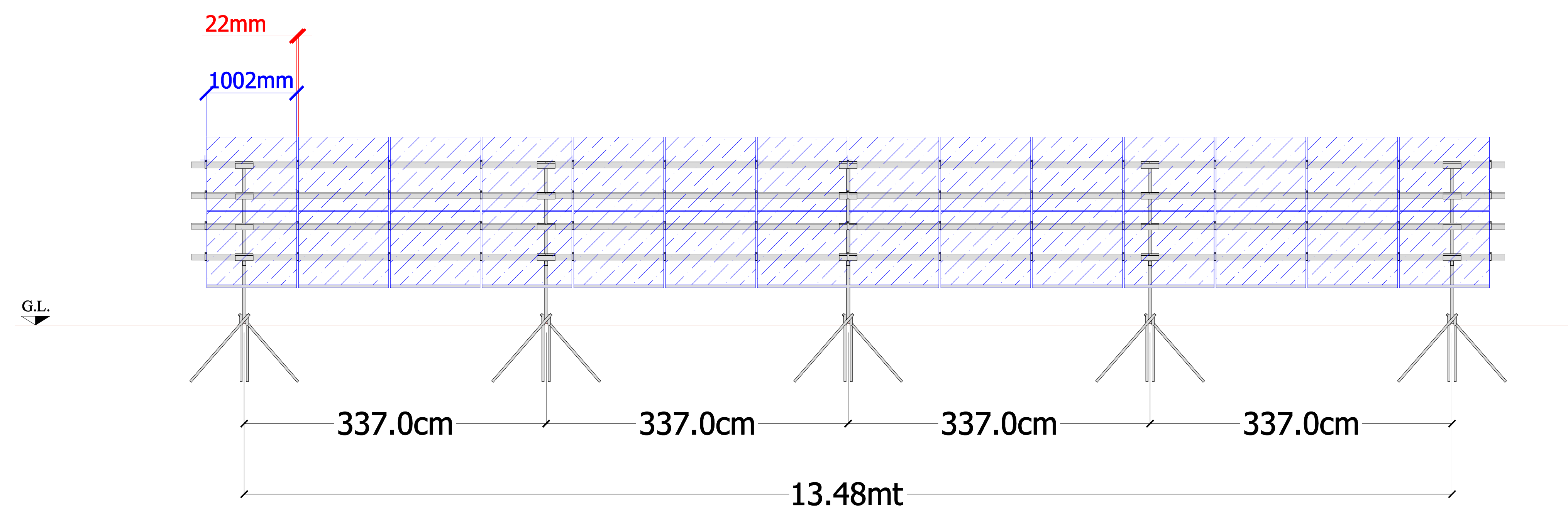


Tipology of rack: **13+13**  
 Number of racks: **4**

		NAME	DATE		
DRAWN		RR	04/03/2020	Solar Place Opole Voivodeship_400kWp project	
CHECKED					
				TITLE Final result.	
SIZE	DWG N°:		<b>41</b>	REV	
SCALE:	WEIGHT:	SHEET			



**TreeSystem s.r.l.**  
 Via Moraro n°22, 35020, Pozzonovo (PD)  
 Tel/fax +390429773082



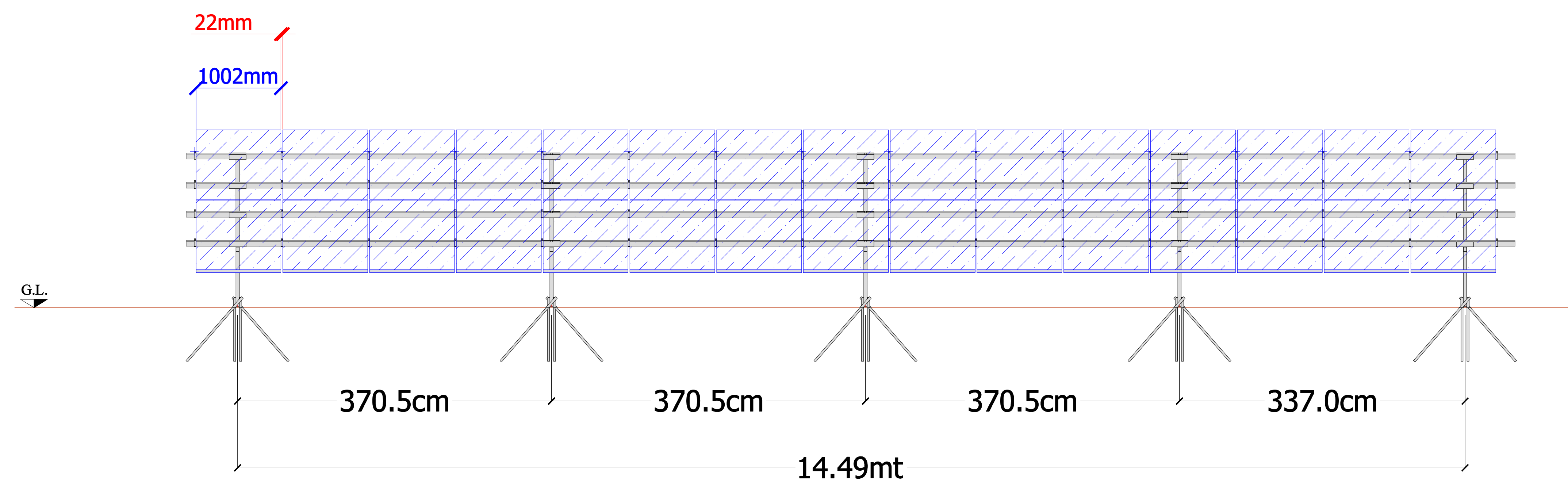
Tipology of rack: **14+14**  
 Number of racks: **4**

		NAME	DATE		
DRAWN		RR	04/03/2020	Solar Place Opole Voivodeship_400kWp project	
CHECKED					
				TITLE	
				Final result.	
SIZE	DWG N°:		<b>42</b>	REV	
SCALE:	WEIGHT:	SHEET			




**TreeSystem s.r.l.**  
 Via Moraro n°22, 35020, Pozzonovo (PD)  
 Tel/fax +390429773082





Tipology of rack: **15+15**  
 Number of racks: **15**

DRAWN	NAME	DATE	Solar Place Opole Voivodeship_400kWp project		
CHECKED	RR	04/03/2020	TITLE Final result.		
			SIZE	DWG N°: <b>43</b>	REV
 <b>TreeSystem s.r.l.</b> Via Moraro n°22, 35020, Pozzonovo (PD) Tel/fax +390429773082			SCALE:	WEIGHT:	SHEET